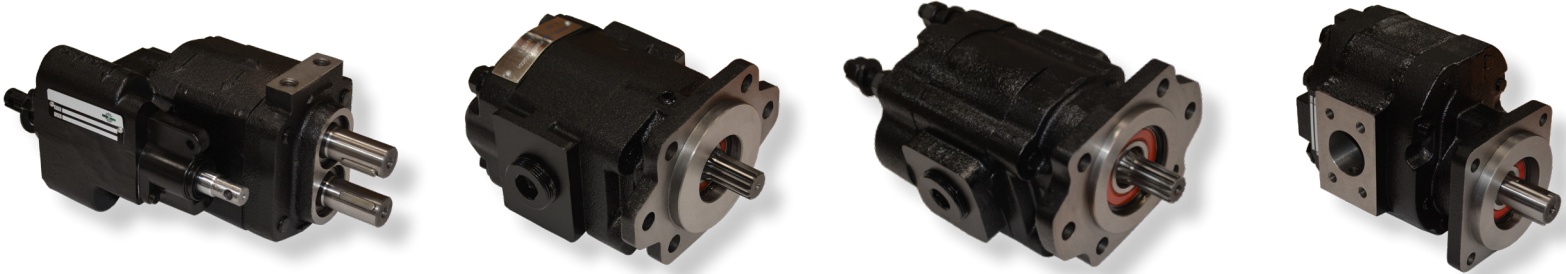


# PUMPS & MOTORS



*your source for your mobile hydraulic needs*



C072024



# CONTENTS

Dump Pumps.....	1-2
• “C” Series ,“G” Series and Accessories	
HC102 Exploded View and Break Down.....	3-4
HG102 Exploded View and Break Down.....	5-6
P21 Exploded View and Break Down.....	7-9
P31 Exploded View and Break Down.....	10-12
P50/51 Exploded View and Break Down.....	13-16
Gear Pumps.....	17-21
• H21, H35, H51, H55, H7 and H62	
Dry Valve.....	21
In-line Accessories/Flow Control Valve.....	22
Castings.....	23-28
Gears/Gearsets.....	28-35
Bearings/Washers/Nuts/Bushings.....	35
Shafts.....	36
Dump Pump Parts.....	36-37
Pump Parts Miscellaneous.....	37
Seals.....	38-39
Thrust Plates.....	39
Warranty Policy.....	40

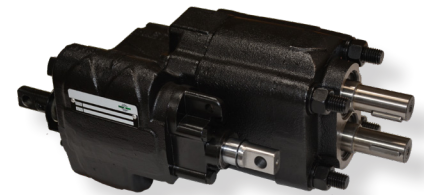
# DUMP PUMPS



## "C" SERIES DIRECT MOUNT

replacement for Parker/Commercial C102 series

Part Number	Description	Shaft	Gear	Inlet	Pressure & Return Port
HC102-LMS-20	Left hand rotation manual shift	7/8"-13 Tooth	2"	1-1/4" NPT	1" NPT
HC102-LMS-25	Left hand rotation manual shift	7/8"-13 Tooth	2.5"	1-1/4" NPT	1" NPT
HC102-LAS-25	Left hand rotation with air shift cylinder	7/8"-13 Tooth	2.5"	1-1/4" NPT	1" NPT
HC102-RMS-25	Right hand rotation manual shift	7/8"-13 Tooth	2.5"	1-1/4" NPT	1" NPT
HC102-RAS-25	Right hand rotation with air shift	7/8"-13 Tooth	2.5"	1-1/4" NPT	1" NPT
HC102-RAS-2598	Right hand rotation with air shift	1"-15 Tooth	2.5"	1-1/4" NPT	1" NPT



## "C" SERIES REMOTE MOUNT

replacement for Parker/Commercial C101 series

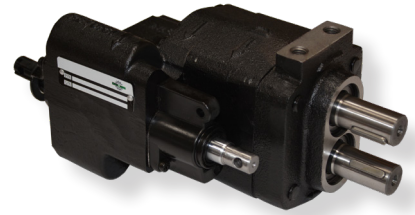
Part Number	Description	Shaft	Gear	Inlet	Pressure & Return Port
HC101-XMS-20	Either shaft rotation manual shift	1" Keyed	2"	1-1/4" NPT	1" NPT
HC101-XMS-25	Either shaft rotation manual shift	1" Keyed	2.5"	1-1/4" NPT	1" NPT



## "G" SERIES DIRECT MOUNT

replacement for Parker/Commercial G102 series

Part Number	Description	Shaft	Gear	Inlet	Pressure & Return Port
HG102-LAS-20 (4B)	Left hand rotation, with air shift direct mount, 4 bolt mount	7/8"-13 Tooth	2"	1-1/4" NPT	3/4" NPT
HG102-LMS-20 (4B)	Left hand rotation, manual shift direct mount, 4 bolt mount	7/8"-13 Tooth	2"	1-1/4" NPT	3/4" NPT
HG102-LMS-20 (2B)	Left hand rotation, manual shift direct mount, 2 bolt mount	7/8"-13 Tooth	2"	1-1/4" NPT	3/4" NPT
HG102-RAS-20-(4B)	Right hand rotation, with air shift direct mount, 4 bolt mount	7/8"-13 Tooth	2"	1-1/4" NPT	3/4" NPT
HG102-RMS-20 (4B)	Right hand rotation, manual shift direct mount, 4 bolt mount	7/8"-13 Tooth	2"	1-1/4" NPT	3/4" NPT



## "G" SERIES REMOTE MOUNT

replacement for Parker/Commercial G101 series

Part Number	Description	Shaft	Gear	Inlet	Pressure & Return Port
HG101-XMS-20	Either shaft rotation manual shift	1" Keyed	2"	1-1/4" NPT	3/4" NPT

## Accessories

### MOUNTING BRACKET

Part Number	Description
HM314-0100-005	For C101



### AIRSHIFT VALVE

Part Number	Description
AKC102-4	C101/C102, Air shift kit, 4 bolt pattern
AKG102	G101/G102, 2 bolt pattern

AKG102



AKC102-4

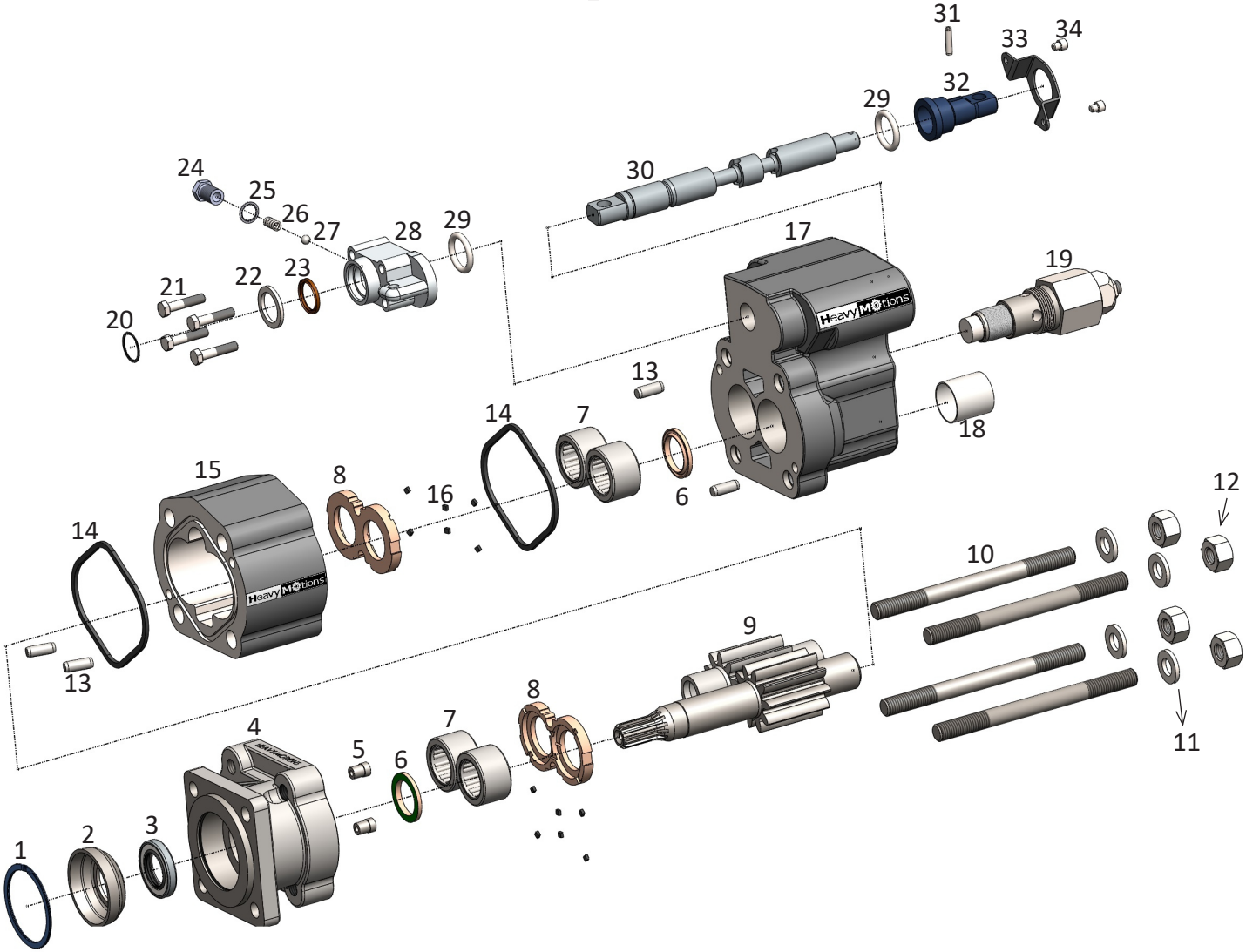


### PUSH/PULL CABLE

Part Number	Description
HMDPC-10	10 Foot push/pull dump pump cable



# HC102 Exploded View

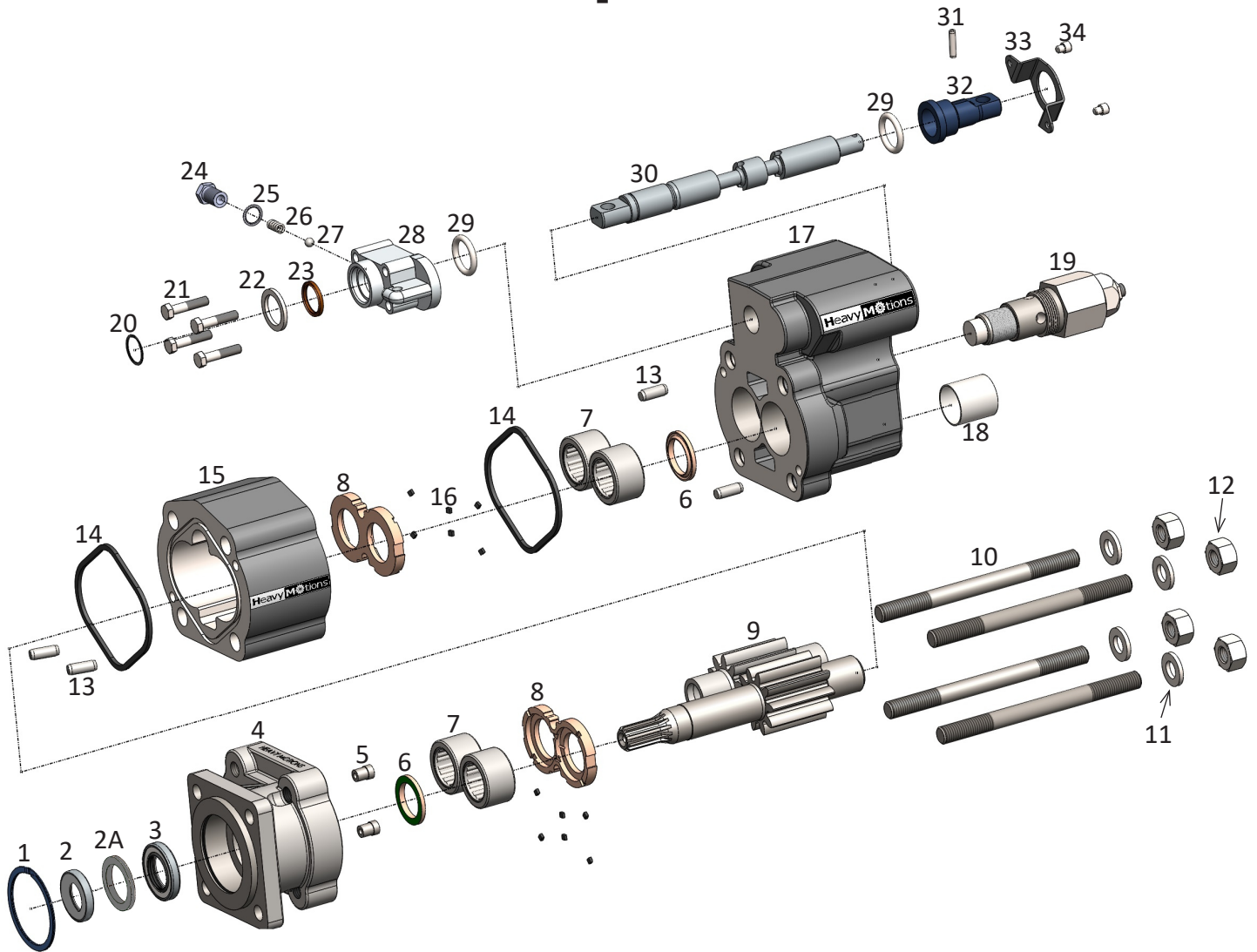


# HC102 Parts Break Down

Item	Heavy Motions ®	Req. *per stage	Parker ®	Description
1	HM391-2686-065	1	391-2686-065	Spiral Ring
2	HM391-3383-087	1	391-3383-087	Seal Retainer
3	HM391-2883-115	1	391-2883-115	Shaft Seal
4	51M-SEC-4B	1	313-5037-401	Shaft End Cover
5	HM391-3681-001	2	391-3681-001	Check Valves
6	HM391-2585-009	2	391-2585-009	Ring Seals
7	WS1032	4	391-0381-059	Roller Bearings
8	P51-THRUST	2	391-2185-012	Thrust Plates
9	50-GS-14S-25	1	313-2925-230	Shaft & Gear Set 2-1/2"
10	****	4		Studs
11	HM391-3784-028	4	391-3784-028	Washers
12	HM391-1451-076	4	391-1451-076	Hex Nuts
13	HM391-2082-032	4	391-2082-032	Dowels
14	HM391-2884-021	2	391-2884-021	Gasket Seals
15	102-H-25	1	314-8225-100	Gear Housing 2-1/2"
16	HM391-2882-051	1	391-2882-051	Pocket Seal Strip
17	****	1		*Port End Cover
18	HM391-3283-052	1	391-3283-052	Sleeve (optional)
19	HM355-9001-067	1	355-9001-067	Relief Valve
20	HM391-2688-003	1	391-2688-003	Snap Ring
21	HM391-1401-082	4	391-1401-082	Cap Screws
22	HM391-3782-126	1	391-3782-126	Retainer Ring
23	HM391-2883-147	1	391-2883-147	Wiper Ring
24	HM391-2583-079	1	391-2583-079	Detent Retainer
25	HM391-3788-002	1	391-3788-002	Lock Washer
26	HM391-3581-383	1	391-3581-383	Detent Spring
27	HM391-0282-009	1	391-0282-009	Detent Ball
28	HM314-0100-003	1	314-0100-003	Detent Cap
29	HM391-2881-103	2	391-2881-103	O-ring
30	****	1		Valve Spool
31	HM391-2085-009	1	391-2085-009	Sheer Pin
32	HM391-1881-073	1	391-1881-073	Spool End Cap
33	HM391-0981-010	1	391-0981-010	End Cap Bracket
34	HM391-1402-063	2	391-1402-063	Socket Head Bracket Screws

**Note:** \*Item 17 and 30 are non-serviceable parts, item 10 is a non stocking item.  
Please call us for further details.

# HG102 Exploded View

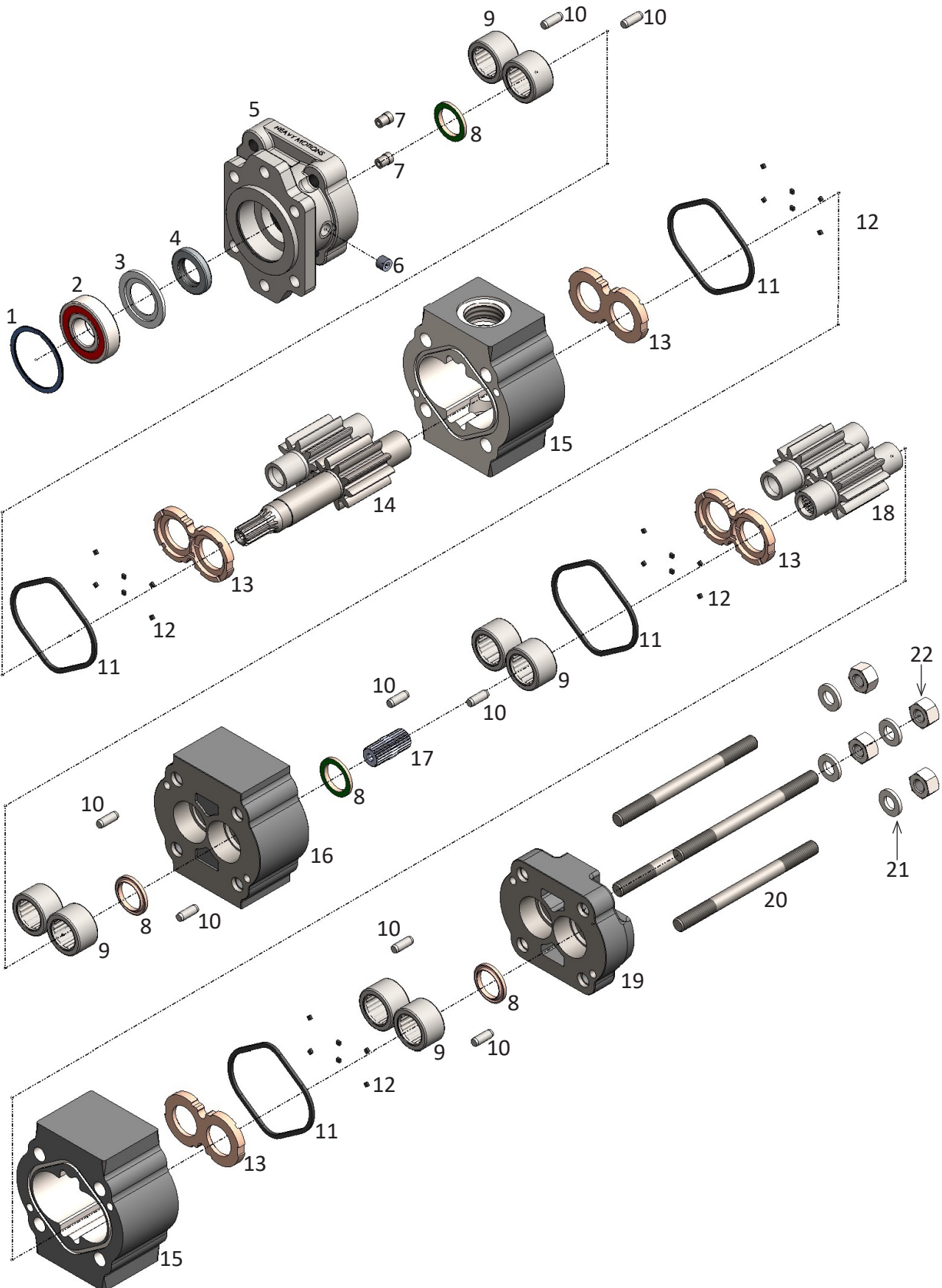




# HG102 Parts Break Down

Item	Heavy Motions ®	Qty	Parker ®	Description
1	HM391-2686-063	1	391-2686-063	Snap Ring
2	HM391-3383-069	1	391-3383-069	Spacer
2A	HM391-3381-040	1	391-3381-040	Seal Retainer
3	HM391-2883-119	1	391-2883-119	Shaft Seal
4	21M-SEC-4B	1	308-5030-401	Shaft End Cover
5	HM391-3681-001	2	391-3681-001	Check Valve
6	HM391-2585-006	2	391-2585-006	Ring Seal
7	WY1032	4	391-0381-906	Roller Bearing
8	P31-THRUST	2	391-2185-013	Thrust Plate
9	30-GS-14S-20	1	312-2920-230	Shaft/Gear Set
10	n/a	n/a	n/a	n/a
11	n/a	n/a	n/a	n/a
12	n/a	n/a	n/a	n/a
13	HM391-2082-071	4	391-2082-071	Dowel
14	HM391-2884-019	2	391-2884-019	Body Gasket
15	G102-H-20	1	308-8020-901	Gear Housing
16	HM391-2882-051	12	391-2882-051	Thrust Plate Pocket Seal
17	n/a	n/a	n/a	n/a
18	HM391-3283-052	1	391-3283-052	Optional Sleeve
19	HM355-9001-197	1	355-9001-197	Relief Valve
20	n/a	n/a	n/a	n/a
21	n/a	n/a	n/a	n/a
22	n/a	n/a	n/a	n/a
23	HM391-2883-152	1	391-2883-152	Wiper Seal
24	HM391-2583-079	1	391-2583-079	Detent Retainer
25	HM391-3788-002	1	391-3788-002	Lock Washer
26	HM391-3581-383	1	391-3581-383	Detent Spring
27	HM391-0282-009	1	391-0282-009	Detent Ball
28	HM308-4000-102	1	308-4000-102	Detent Cap
29	HM391-1985-014	2	391-1985-014	Quad Ring
30	n/a	n/a	n/a	n/a
31	HM391-2085-009	1	391-2085-009	Spiral Pin
32	HM391-1881-072	1	391-1881-072	Spool End Cap
33	HM391-0981-007	1	391-0981-007	Stop Bracket
34	HM391-1402-063	2	391-1402-063	Capscrew

# P21 Exploded View

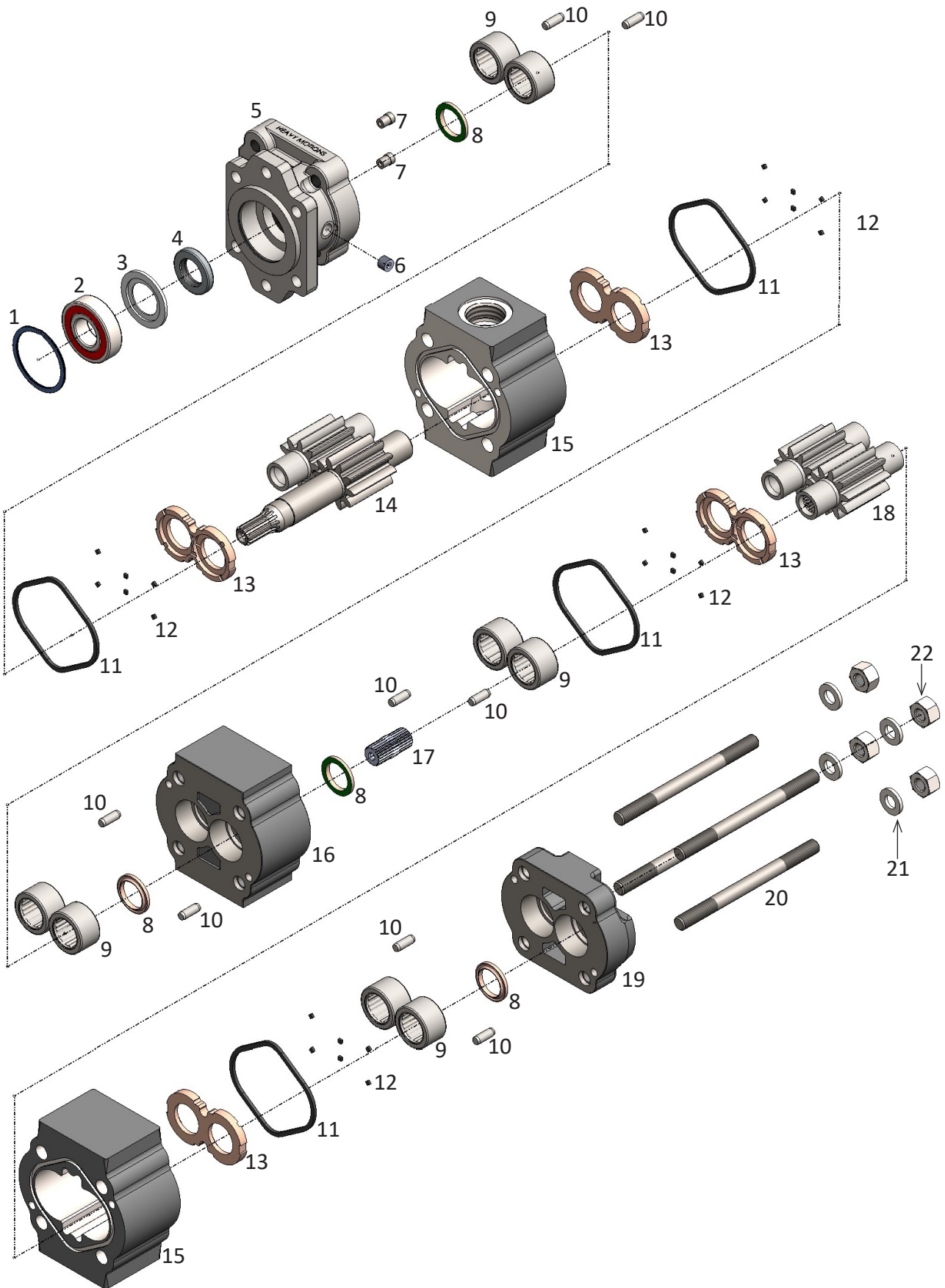


# P21 Parts Break Down

Item	Heavy Motions ®	Req. *per stage	Parker ®	Description
1	HM312-0100-002	1	391-2686-063	21/31/330, Shaft Bearing Snap Ring, (Spirolox), X97-100
2	30-SHFTBRG	1	391-0381-040	X69-40, 6205-2RS-16
3	HM391-3381-040	1	391-3381-040	21/31, Seal Retainer, AE-1669
4	HM391-2883-058	1	391-2883-058	21/31/330, Pump Shaft Seal, Integral, X73-37-16
	HM391-2883-119	or 1	391-2883-119	21/31/M330, Motor Shaft Seal, Integral, X73-50-9
5	21M-SEC-2/4B	1	308-5053-402	21, Shaft End Cover, 2/4 Bolt "B" w/ Case Drain, DB-020D, Doweled
	21M-SEC-2A		308-5020-404	21, Shaft End Cover, 2 Bolt "A" w/ Case Drain, WD-020D, Doweled
	21M-SEC-2B		308-5020-401	21, Shaft End Cover, 2 Bolt "B" w/ Case Drain, GD-020D, Doweled
	21M-SEC-2BS		308-5029-405	21, Shaft End Cover, 2 Bolt "B" Short, GD-020DS, Doweled
	21M-SEC-4B		308-5030-401	21, Shaft End Cover, 4 Bolt "B" w/ Case Drain, ED-020D, Doweled
6	n/a		n/a	1/4-18 Pipe Plug
7	HM391-2286-004	1	391-2286-004	Plug, T1391
	HM391-3681-001	or 2	391-3681-001	Check Valve, M1391K
8	HM391-2585-006	2*	391-2585-006	31, Ring Seal, LB-1009-1
9	WY1032	4*	391-0381-906	21/31, Roller Bearing, Y-1032
10	HM391-2082-071	4*	391-2082-071	21, 315 Dowel Pin, .25 x 5/8"
11	HM391-2884-019	2*	391-2884-019	21, Body Gasket, UB-3006-239
12	HM391-2882-051	1*	391-2882-051	31/51, Thrust Plate Pocket Seal Strip
13	P31-THRUST	2*	391-2185-013	21/31, Thrust Plate, AA-1058-TC
14	30-GS-14K-07	1	312-2907-730	Shaft/Gear Set 7/8 Keyed, DD-1135M-3-07, 3/4"
	30-GS-14K-10		312-2910-730	Shaft/Gear Set 7/8 Keyed, DD-1135M-3-10, 1"
	30-GS-14K-12		312-2912-730	Shaft/Gear Set 7/8 Keyed, DD-1135M-3-12, 1-1/4"
	30-GS-14K-15		312-2915-730	Shaft/Gear Set 7/8 Keyed, DD-1135M-3-15, 1-1/2"
	30-GS-14K-17		312-2917-730	Shaft/Gear Set 7/8 Keyed, DD-1135M-3-17, 1-3/4"
	30-GS-14K-20		312-2920-730	Shaft/Gear Set 7/8 Keyed, DD-1135M-3-20, 2"
	30-GS-14S-07		312-2907-230	Shaft/Gear Set 7/8-13 Tooth, BD-1135M-3-07, 3/4"
	30-GS-14S-10		312-2910-230	Shaft/Gear Set 7/8-13 Tooth, BD-1135M-3-10, 1"
	30-GS-14S-12		312-2912-230	Shaft/Gear Set 7/8-13 Tooth, BD-1135M-3-12, 1-1/4"
	30-GS-14S-15		312-2915-230	Shaft/Gear Set 7/8-13 Tooth, BD-1135M-3-15, 1-1/2"
	30-GS-14S-17		312-2917-230	Shaft/Gear Set 7/8-13 Tooth, BD-1135M-3-17, 1-3/4"
	30-GS-14S-20		312-2920-230	Shaft/Gear Set 7/8-13 Tooth, BD-1135M-3-20, 2"
	30-GS-14S-25		312-2925-230	Shaft/Gear Set 7/8-13 Tooth, BD-1135M-3-25, 2-1/2"
	30-GS-14SS-07		312-2907-430	Shaft/Gear Set 7/8-13 Tooth Short, BD-1135M-4-07, 3/4"
	30-GS-14SS-10		312-2910-430	Shaft/Gear Set 7/8-13 Tooth Short, BD-1135M-4-10, 1"
	30-GS-14SS-12		312-2912-430	Shaft/Gear Set 7/8-13 Tooth Short, BD-1135M-4-12, 1-1/4"
	30-GS-14SS-15		312-2915-430	Shaft/Gear Set 7/8-13 Tooth Short, BD-1135M-4-15, 1-1/2"
	30-GS-14SS-17		312-2917-430	Shaft/Gear Set 7/8-13 Tooth Short, BD-1135M-4-17, 1-3/4"
	30-GS-14SS-20		312-2920-430	Shaft/Gear Set 7/8-13 Tooth Short, BD-1135M-4-20, 2"
	30-GS-16K-05		312-2905-740	Shaft/Gear Set 1" Keyed, ED-1135M-3-05, 1/2"
	30-GS-16K-07		312-2907-740	Shaft/Gear Set 1" Keyed, ED-1135M-3-07, 3/4"
	30-GS-16K-10		312-2910-740	Shaft/Gear Set 1" Keyed, ED-1135M-3-10, 1"
	30-GS-16K-12		312-2912-740	Shaft/Gear Set 1" Keyed, ED-1135M-3-12, 1-1/4"

Item	Heavy Motions ®	Req. *per stage	Parker ®	Description
	30-GS-16K-15		312-2915-740	Shaft/Gear Set 1" Keyed, ED-1135M-3-15, 1-1/2"
	30-GS-16K-17		312-2917-740	Shaft/Gear Set 1" Keyed, ED-1135M-3-17, 1-3/4"
	30-GS-16K-20		312-2920-740	Shaft/Gear Set 1" Keyed, ED-1135M-3-20, 2"
	30-GS-16S-10		312-2910-240	Shaft/Gear Set 1"-15 Tooth, ED-1135M-3-10, 1"
	30-GS-16S-12		312-2912-240	Shaft/Gear Set 1"-15 Tooth, ED-1135M-3-10, 1-1/4"
	30-GS-16S-15		312-2915-240	Shaft/Gear Set 1"-15 Tooth, ED-1135M-3-10, 1-1/2"
	30-GS-16S-17		312-2917-240	Shaft/Gear Set 1"-15 Tooth, ED-1135M-3-10, 1-3/4"
	30-GS-16S-20		312-2920-240	Shaft/Gear Set 1"-15 Tooth, ED-1135M-3-10, 2"
15	21-H-05	1*	308-8205-100	21, 1/2" Gear Housing, RD-020-05D, Doweled, Blank
	21-H-07		308-8207-100	21, 3/4" Gear Housing, RD-020-07D, Doweled, Blank
	21-H-10		308-8210-100	21, 1" Gear Housing, RD-020-10D, Doweled, Blank
	21-H-12		308-8212-100	21, 1-1/4" Gear Housing, RD-020-12D, Doweled, Blank
	21-H-15		308-8215-100	21, 1-1/2" Gear Housing, RD-020-15D, Doweled, Blank
	21-H-17		308-8217-100	21, 1-3/4" Gear Housing, RD-020-17D, Doweled, Blank
	21-H-20		308-8220-100	21, 2" Gear Housing, RD-020-20D, Doweled, Blank
16	21M-BC	1*	308-7300-100	21, Bearing Carrier Blank Motor, VD-020D, Doweled
	21P-BC	or 1*	308-7363-100	21, Bearing Carrier w/ Common Suction Pump, Doweled
17	30-CONN	1*	312-1133-001	21/31, Connecting Shaft, ZA-1133, Tandem Only
18	30-G-05	1*	312-2805-000	Gear Set, V-1007M-05, 1/2", Tandem Only
	30-G-07		312-2807-000	Gear Set, V-1007M-07, 3/4", Tandem Only
	30-G-10		312-2810-000	Gear Set, V-1007M-10, 1", Tandem Only
	30-G-12		312-2812-000	Gear Set, V-1007M-12, 1-1/4", Tandem Only
	30-G-15		312-2815-000	Gear Set, V-1007M-15, 1-1/2", Tandem Only
	30-G-17		312-2817-000	Gear Set, V-1007M-17, 1-3/4", Tandem Only
	30-G-20		312-2820-000	Gear Set, V-1007M-20, 2", Tandem Only
	30-G-25		312-2825-000	Gear Set, V-1007M-25, 2-1/2", Tandem Only
19	21-PEC	1	308-3100-100	21, Port End Cover, XD-020D, Doweled
	21-PEC-FE		308-3100-316	21, Port End Cover, Doweled, 3/4" ORB X 3/4" ORB Rear Ported
	21-PEC-JE		308-3100-327	21, Port End Cover, Doweled, 1" ORB X 1" ORB Rear Ported
	21-PEC-ME		308-3100-116	21, Port End Cover, Doweled, 3/4" NPT X 3/4" NPT Rear Ported
	21-PEC-QU		308-3100-127	21, Port End Cover, Doweled, 1" NPT X 1" NPT Rear Ported
20	n/a	4	n/a	n/a
21	n/a	4	n/a	n/a

# P31 Exploded View

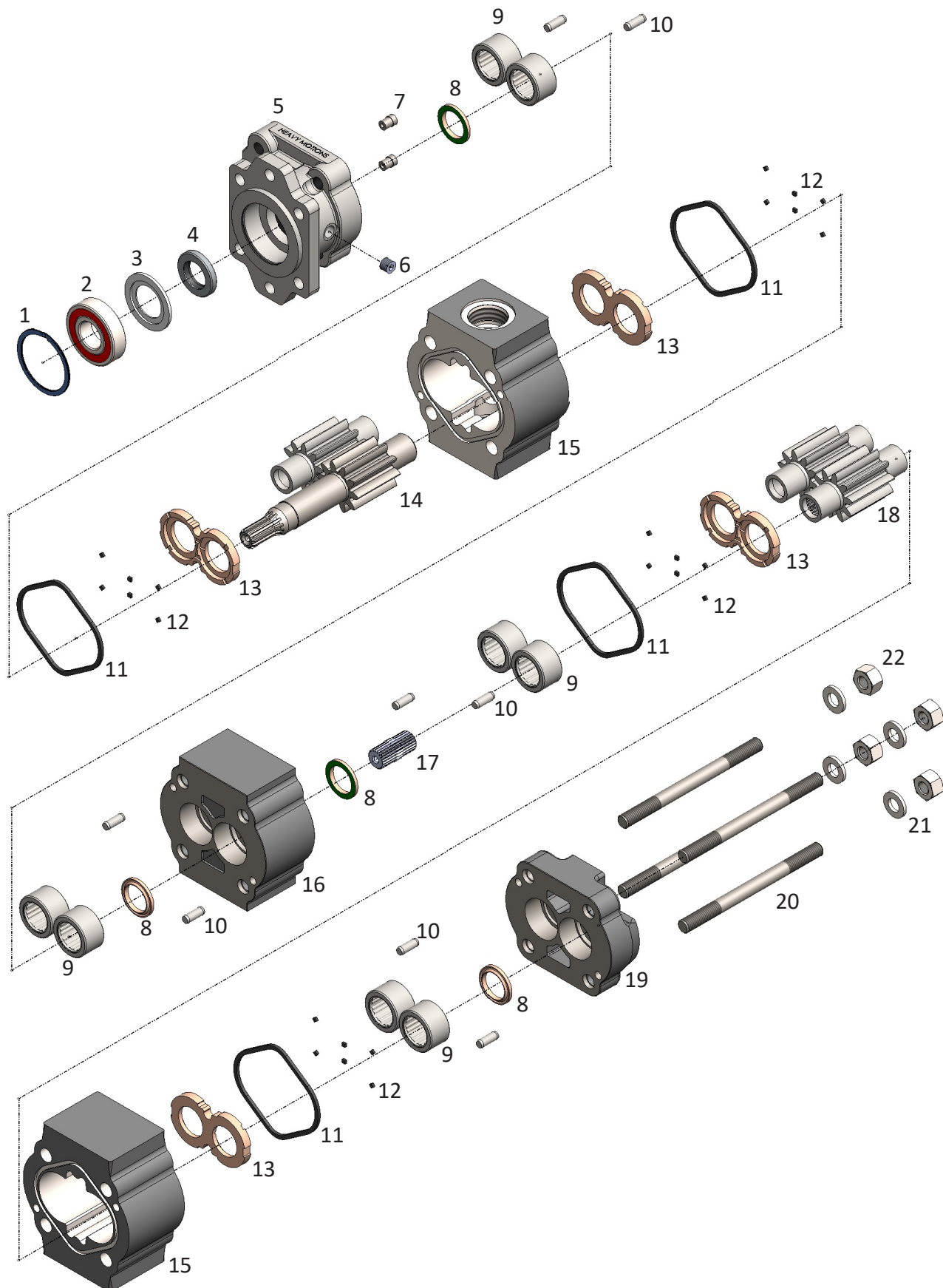


# P31 Parts Break Down

Item	Heavy Motions ®	Req. *per stage	Parker ®	Description
1	HM391-2686-063	1	391-2686-063	Snap Ring (Spirolox)
2	30-SHFTBRG	1	391-0381-040	Shaft Bearing
3	HM391-3381-040	1	391-3381-040	Seal Retainer
4	HM391-2883-107	1	391-2883-107	Shaft Seal (Pump) Continental Shaft
	HM391-2883-058		391-2883-058	Shaft Seal (Pump) Integral Gear Set
	HM391-2883-126		391-2883-126	Shaft Seal (Motor) Continental Shaft
	HM391-2883-119		391-2883-119	Shaft Seal (Motor) Integral Gear Set
5	31M-SEC-2/4B	1	312-5057-401	31, 2/4 Bolt "B" Shaft End Cover, w Case Drain, GEB-1685,3 Doweled
	31M-SEC-2A		312-5027-404	31, 2 Bolt "A" Shaft End Cover w Case Drain, WB-1685-3, Doweled
	31M-SEC-2B		312-5027-401	31, 2 Bolt "B" Shaft End Cover w Case Drain, GB-1685-3, Doweled
	31M-SEC-4B		312-5037-401	31, 4 Bolt "B" Shaft End Cover w Case Drain, EB-1685-3, Doweled
	31M-SEC-4C		312-5037-402	31, 4 Bolt "C" Shaft End Cover w Case Drain, PB-1685-3, Doweled
	31M-SEC-PAD		312-5017-401	31, Pad Mount Shaft End Cover w Case Drain, AC-1685-3, Doweled
	31M-SEC-ROUND	1	312-5047-401	31, 6 Bolt Round Shaft End Cover w Case Drain, FB-1685-3, Doweled
6	n/a	n/a	n/a	1/4-18 Pipe Plug
7	HM391-3681-001	2	391-3681-001	Check Valve
8	HM391-2585-006	2*	391-2585-006	Ring Seal
9	WY1032	4*	391-0381-906	Roller Bearing
10	HM391-2082-032	4*	391-2082-032	Dowel Pin
11	HM391-2884-050	2*	391-2884-050	Body Gasket
12	HM391-2882-051	1*	391-2882-051	Thrust Plate Pocket Seal Strip
13	P31-THRUST	2*	391-2185-013	Thrust Plate
14	30-GS-14K-07	1	312-2907-730	Shaft/Gear Set 7/8 Keyed, DD-1135-3-07, 3/4"
	30-GS-14K-10		312-2910-730	Shaft/Gear Set 7/8 Keyed, DD-1135M-3-10, 1"
	30-GS-14K-12		312-2912-730	Shaft/Gear Set 7/8 Keyed, DD-1135M-3-12, 1-1/4"
	30-GS-14K-15		312-2915-730	Shaft/Gear Set 7/8 Keyed, DD-1135M-3-15, 1-1/2"
	30-GS-14K-17		312-2917-730	Shaft/Gear Set 7/8 Keyed, DD-1135M-3-17, 1-3/4"
	30-GS-14K-20		312-2920-730	Shaft/Gear Set 7/8 Keyed, DD-1135M-3-20, 2"
	30-GS-14KS-10		312-2910-930	Shaft/Gear Set, 7/8 Keyed Short, 1" (Special), Code 66
	30-GS-14S-07		312-2907-230	Shaft/Gear Set 7/8-13 Tooth, BD-1135M-3-07, 3/4"
	30-GS-14S-10		312-2910-230	Shaft/Gear Set 7/8-13 Tooth, BD-1135M-3-10, 1"
	30-GS-14S-12		312-2912-230	Shaft/Gear Set 7/8-13 Tooth, BD-1135M-3-12, 1-1/4"
	30-GS-14S-15		312-2915-230	Shaft/Gear Set 7/8-13 Tooth, BD-1135M-3-15, 1-1/2"
	30-GS-14S-17		312-2917-230	Shaft/Gear Set 7/8-13 Tooth, BD-1135M-3-17, 1-3/4"
	30-GS-14S-20		312-2920-230	Shaft/Gear Set 7/8-13 Tooth, BD-1135M-3-20, 2"
	30-GS-14S-25		312-2925-230	Shaft/Gear Set 7/8-13 Tooth, BD-1135M-3-25, 2-1/2"
	30-GS-14SS-07		312-2907-430	Shaft/Gear Set 7/8-13 Tooth Short, BD-1135M-4-07, 3/4"
	30-GS-14SS-10		312-2910-430	Shaft/Gear Set 7/8-13 Tooth Short, BD-1135M-4-10, 1"
	30-GS-14SS-12		312-2912-430	Shaft/Gear Set 7/8-13 Tooth Short, BD-1135M-4-12, 1-1/4"
	30-GS-14SS-15		312-2915-430	Shaft/Gear Set 7/8-13 Tooth Short, BD-1135M-4-15, 1-1/2"
	30-GS-14SS-15		312-2915-430	Shaft/Gear Set 7/8-13 Tooth Short, BD-1135M-4-15, 1-1/2"
	30-GS-14SS-17		312-2917-430	Shaft/Gear Set 7/8-13 tooth Short, BD-1135M-4-17, 1-3/4"

Item	Heavy Motions®	Req. *per stage	Parker®	Description
	30-GS-14SS-20		312-2920-430	Shaft/Gear Set 7/8-13 Tooth Short, BD-1135M-4-20, 2"
	30-GS-16K-05		312-2905-740	Shaft/Gear Set 1" Keyed, ED-1135M-3-05, 1/2"
	30-GS-16K-07		312-2907-740	Shaft/Gear Set 1" Keyed, ED-1135M-3-07, 3/4"
	30-GS-16K-10		312-2910-740	Shaft/Gear Set 1" Keyed, ED-1135M-3-10, 1"
	30-GS-16K-12		312-2912-740	Shaft/Gear Set 1" Keyed, ED-1135M-3-12, 1-1/4"
	30-GS-16K-15		312-2915-740	Shaft/Gear Set 1" Keyed, ED-1135M-3-15, 1-1/2"
	30-GS-16K-17		312-2917-740	Shaft/Gear Set 1" Keyed, ED-1135M-3-17, 1-3/4"
	30-GS-16K-20		312-2920-740	Shaft/Gear Set 1" Keyed, ED-1135M-3-20, 2"
14A	HM312-1000-200	1	312-1000-200	21/31 Continental Shaft, 5/8-9 Tooth, AI-1135
	HM312-1000-401		312-1000-401	21/31 Continental Shaft, 1"-15 Tooth, AU-1135
	HM312-1133-002		312-1133-002	30 to 30 Piggyback Connecting Shaft, AF1133
	HM312-1133-003		312-1133-003	30 to 50 Piggyback Connecting Shaft, AD1133
	HM312-1135-133		312-1135-133	21/31 Continental Shaft 1-1/4"-14 Tooth, AH-1135
	HM312-1135-133sh		312-1135-133	21-31 Continental Shaft 1-1/4"-14 Tooth, AH-1135
	HM312-1135-138		312-1135-138	21/31 Continental Shaft 7/8-13 Tooth, AJ-1135
	HM312-1135-152		312-1135-152	21/31 Continental Shaft 3/4" Keyed, AV-1135
	HM312-1135-192		312-1135-192	21/31 Continental Shaft 7/8" Keyed X-Long, AK-1135-XL
	HM312-1500-400		312-1500-400	21/31 Continental Shaft 1" Keyed, ED-1135
	HM312-1500-500		312-1500-500	21/31 Continental Shaft 1-1/4" Keyed, LS-1135
15	31-H-05	1*	312-8205-100	31, 1/2" Gear Housing, RA-1688-05, Doweled
	31-H-07		312-8207-100	31, 3/4" Gear Housing, RA-1688-07, Doweled
	31-H-10		312-8210-100	31, 1" Gear Housing, RA-1688-10, Doweled
	31-H-12		312-8212-100	31, 1-1/4" Gear Housing, RA-1688-12, Doweled
	31-H-15		312-8215-100	31, 1-1/2" Gear Housing, RA-1688-15, Doweled
	31-H-17		312-8217-100	31, 1-3/4" Gear Housing, RA-1688-17, Doweled
	31-H-20		312-8220-100	31, 2" Gear Housing, RA-1688-20, Doweled
	31-H-25		312-8225-100	31, 2-1/2" Gear Housing, RA-1688-25, Doweled
16	31M-BC	1	312-7740-100	Motor Bearing Carrier Blank, Doweled
	31P-BC	or 1	312-7723-100	Pump Bearing Carrier w/ Common Suction, Doweled
17	30-CONN	1*	312-1133-001	Shaft Connector
18	30-G-05	1*	312-2805-000	Gear Set, V-1007M-05, 1/2"
	30-G-07		312-2807-000	Gear Set, V-1007M-07, 3/4"
	30-G-10		312-2810-000	Gear Set, V-1007M-10, 1"
	30-G-12		312-2812-000	Gear Set, V-1007M-12, 1-1/4"
	30-G-15		312-2815-000	Gear Set, V-1007M-15, 1-1/2"
	30-G-17		312-2817-000	Gear Set, V-1007M-17, 1-3/4"
	30-G-20		312-2820-000	Gear Set, V-1007M-20, 2"
	30-G-25		312-2825	Gear Set, V-1007M-25, 2-1/2"
19	31-PEC	1	312-3120-100	31, Port End Cover, Doweled, XA-1603
	31-PEC-L		312-3420-100	31, Port End Cover, Large Ports XA-1603 RP, Doweled
	31-31-PEC-PB		312-5027-212	31-31, Port End Cover Piggyback, DC-1685-24, Doweled
20	n/a	n/a	n/a	n/a
21	HM391-3784-028	4	391-3784-028	Washers 5/8
22	HM391-1451-076	4	391-1451-076	Nuts 5/8

# P50/51 Exploded View





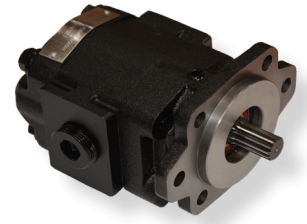
# P50/51 Parts Break Down

Item	Heavy Motions ®	Req. *per stage	Parker ®	Description
1	HM391-2686-065	1	391-2686-065	Snap Ring (Spirolox)
2	50-SHFTBRG	1	391-0381-077	Shaft Bearing
3	HM391-3383-020	1	391-3383-020	Seal Retainer
4	HM391-2883-103 HM391-2883-115	1	391-2883-103 391-2883-115	Pump Shaft Seal Motor Shaft Seal
5	51M-SEC-2/4B	1	313-5057-401	51, 2/4 Bolt "B" Shaft End Cover w/ Case Drain, Doweled
	51M-SEC-2/4BS	1	313-5057-404	51, 2/4 Bolt "B" Short Shaft End Cover w/ Case Drain, Doweled
	51M-SEC-2B		313-5027-401	51, 2 Bolt "B" Shaft End Cover w/ Case Drain, RB-1685-3, Doweled
	51M-SEC-2C		313-5027-402	51, 2 Bolt "C" Shaft End Cover w/ Case Drain, NB-1685-3, Doweled
	51-M-SEC-4B		313-5037-401	51, 4 Bolt "B" Shaft End Cover w/ Case Drain, HB-1685-3, Doweled
	51-M-SEC-4C		313-5037-402	51, 4 Bolt "C" Shaft End Cover w/ Case Drain, KB-1685-3, Doweled
	51M-SEC-PAD		313-5017-401	51, Pad Mount Shaft End Cover w Case Drain, MB-1685-3, Doweled
	51P-SEC-2CS		313-5027-206	51, 2 Bolt "C" Short Shaft End Cover, LB-1685-3, Doweled
	51P-SEC-ROUND	1	313-5047-201	51, 6 Bolt Round Shaft End Cover, 2-5/8" Pilot, Doweled
6	n/a	n/a	n/a	1/4-18 Pipe Plug
7	HM391-3681-001	2	391-3681-001	Check Valve
8	HM391-2585-009	2*	391-2585-009	Ring Seal
9	WS1032	4*	391-0381-905	Roller Bearing
10	HM391-2082-032	4*	391-2082-032	Dowel Pin
11	HM391-2884-021	2*	391-2884-021	Body Gasket
12	HM391-2882-051	1*	391-2882-051	Thrust Plate Pocket Seal Strip
13	P51-THRUST	2*	391-2185-012	Thrust Plate
14	50-GS-14S-10	1 *	313-2910-230	Shaft/Gear Set, 7/8-13 Tooth, VD-1135M-3-10, 1"
	50-GS-14S-12		313-2912-230	Shaft/Gear Set, 7/8-13 Tooth, VD-1135M-3-12, 1-1/4"
	50-GS-14S-15		313-2915-230	Shaft/Gear Set, 7/8-13 Tooth, VD-1135M-3-15, 1-1/2"
	50-GS-14S-17		313-2917-230	Shaft/Gear Set, 7/8-13 Tooth, VD-1135M-3-17, 1-3/4"
	50-GS-14S-20		313-2920-230	Shaft/Gear Set, 7/8-13 Tooth, VD-1135M-3-20, 2"
	50-GS-14S-22		313-2922-230	Shaft/Gear Set, 7/8-13 Tooth, VD-1135M-3-22, 2-1/4"
	50-GS-14S-25		313-2925-230	Shaft/Gear Set, 7/8-13 Tooth, VD-1135M-3-25, 2-1/2" (C102)
	50-GS-14SS-17		313-2917-430	Shaft/Gear Set, 7/8-13 Tooth Short, VD-1135M-4-17, 1-3/4"
	50-GS-14SS-20		313-2920-430	Shaft/Gear Set, 7/8-13 Tooth Short, VD-1135M-4-20, 2"
	50-GS-14SS-25		313-2925-430	Shaft/Gear Set, 7/8-13 Tooth Short, VD-1135M-4-25m 2-1/2"
	50-GS-16K-07		313-2907-740	Shaft/Gear Set, 1" Keyed, TD-1135M-3-07, 3/4"
	50-GS-16K-10		313-2910-740	Shaft/Gear Set, 1" Keyed, TD-1135M-3-10, 1"
	50-GS-16K-12		313-2912-740	Shaft/Gear Set, 1" Keyed, TD-1135M-3-12, 1-1/4"
	50-GS-16K-15		313-2915-740	Shaft/Gear Set, 1" Keyed, TD-1135M-3-15, 1-1/2"
	50-GS-16K-17		313-2917-740	Shaft/Gear Set, 1" Keyed, TD-1135M-3-17, 1-3/4"
	50-GS-16K-20		313-2920-740	Shaft/Gear Set, 1" Keyed, TD-1135M-3-20, 2"
	50-GS-16K-22		313-2922-740	Shaft/Gear Set, 1" Keyed, TD-1135M-3-22, 2-1/4"
	50-GS-16K-25		313-2925-740	Shaft/Gear Set, 1" Keyed, TD-1135M-3-25, 2-1/2"
	50-GS-16S-25		313-2925-240	Shaft/Gear Set, 1"-15 Tooth, (Special), 2-1/2"
	50-GS-20K-10		313-2910-750	Shaft/Gear Set, 1-1/4" Keyed, SD-1135M-3-10, 1"

Item	Heavy Motions ®	Req. *per stage	Parker ®	Description
	50-GS-20K-12		313-2912-750	Shaft/Gear Set, 1-1/4" Keyed, SD-1135M-3-12, 1-1/4"
	50-GS-20K-15		313-2915-750	Shaft/Gear Set, 1-1/4" Keyed, SD-1135M-3-15, 1-1/2"
	50-GS-20K-17		313-2917-750	Shaft/Gear Set, 1-1/4" Keyed, SD-1135M-3-17, 1-3/4"
	50-GS-20k-20		313-2920-750	Shaft/Gear Set, 1-1/4" Keyed, SD-1135M-3-20, 2"
	50-GS-20K-22		313-2922-750	Shaft/Gear Set, 1-1/4" Keyed, SD-1135M-3-22, 2-1/4"
	50-GS-20K-25		313-2925-750	Shaft/Gear Set, 1-1-1/4" Keyed, SD-1135M-3-25, 2-1/2"
	50-GS-20S-10		313-2910-250	Shaft/Gear Set, 1-1/4"-14 tooth, PD-1135M-3-10, 1"
	50-GS-20S-12		313-2912-250	Shaft/Gear Set, 1-1/4"-14 Tooth, PD-1135M-3-12, 1-1/4"
	50-GS-20S-15		313-2915-250	Shaft/Gear Set, 1-1/4"-14 Tooth, PD-1135M-3-15, 1-1/2"
	50-GS-20S-17		313-2917-250	Shaft/Gear Set, 1-1/4"-14 tooth, PD-1135M-3-17, 1-3/4"
	50-GS-20S-20		313-2920-250	Shaft/Gear Set, 1-1/4"-14 Tooth, PD-1135M-3-20, 2"
	50-GS-20S-22		313-2922-250	Shaft/Gear Set, 1-1/4"-14 Tooth, PD-1135M-3-22, 2-1/4"
	50-GS-20S-25		313-2925-250	Shaft/Gear Set, 1-1/4"-14 Tooth, PD-1135M-3-25, 2-1/2"
	50-GS-20SS-12		313-2912-450	Shaft/Gear Set, 1-1/4"-14 Tooth Short, PD-1135M-4-12, 1-1/4"
	50-GS-20SS-15		313-2915-450	Shaft/Gear Set, 1-1/4"-14 Tooth Short, PD-1135M-4-15, 1-1/2"
	50-GS-20SS-17		313-2917-450	Shaft/Gear Set, 1-1/4"-14 Tooth Short, PD-1135M-4-17, 1-3/4"
	50-GS-20SS-20		313-2920-450	Shaft/Gear Set, 1-1/4"-14 Tooth Short, PD-1135M-4-20, 2"
	50-GS-20SS-22		313-2922-450	Shaft/Gear Set, 1-1/4"-14 Tooth Short, PD-1135M-4-22, 2-1/4"
	50-GS-20SS-25		313-2925-450	Shaft/Gear Set, 1-1/4"-14 Tooth Short, PD-1135M-4-25, 2-1/2"
15	51-H-05	1*	313-8205-100	25/51, 1/2" Gear Housing, MA-1688-05, Doweled
	51-H-07		313-8207-100	25/51, 3/4" Gear Housing, MA-1688-07, Doweled
	51-H-10		313-8210-100	25/51, 1" Gear Housing, MA-1688-10, Doweled
	51-H-12		313-8212-100	25//51, 1-1/4" Gear Housing, MA-1688-12, Doweled
	51-H-15		313-8215-100	25/51, 1-1/2" Gear Housing, MA-1688-15, Doweled
	51-H-17		313-8217-100	25/51, 1-3/4" Gear Housing, MA-1688-17, Doweled
	51-H-20		313-8220-100	25-51, 2" Gear Housing, MA-1688-20, Doweled
	51-H-22		313-8222-100	25/51, 2-1/4" Gear Housing, MA-1688-22, Doweled
	51-H-25		313-8225-100	25/51, 2-1/2" Gear Housing, MA-1688-25, Doweled
	51-H-30		313-8230-100	25/51, 3" Gear Housing, MA-1688-30, Doweled
16	51M-BC	or 1	313-7740-100	51 Motor, Bearing Carrier Blank, TA-1687, Doweled
	51P-BC	1	313-7723-100	51 Pump, Bearing Carrier w/ Common Suction TA-1687-11, Doweled
17	50-CONN	1*	313-1133-001	Connecting Shaft
	HM313-1133-003		313-1133-003	50 to 75 Piggyback Connecting Shaft, AJ1133
	HM313-1133-004		313-1133-004	50 to 50 Piggybank Connecting Shaft, AG1133
	50-G-05	1*	313-2805-000	Gear Set, MA-1006M-05, 1/2"
	50-G-07		313-2807-000	Gear Set, MA-1006M-07, 3/4"
	50-G-10		313-2810-000	Gear Set, MA-1006M-10, 1"
	50-G-12		313-2812-000	Gear Set, MA-1006M-12, 1-1/4"
	50-G-15		313-2815-000	Gear Set, MA-1006M-15, 1-1/2"
	50-G-17		313-2817-000	Gear Set, MA-1006M-17, 1-3/4"
	50-G-20		313-2820-000	Gear Set, MA-1006M-20, 2"
	50-H-22		313-2822-000	Gear Set, MA-1006M-22, 2-1/4"

Item	Heavy Motions ®	Req. *per stage	Parker ®	Description
	50-G-25		313-2825-000	Gear Set, MA-1006M-25, 2-1/2"
	50-G-30		313-2830-000	Gear Set, MA-1006M-30, 3"
19	51-PEC	1	313-3120-100	51, Port End Cover, ZA-1603, Doweled
	51-PEC-L		313-3420-100	51, Port End Cover, will accept ports up to 1-1/4", ZA-1603-RP, Doweled
	51-PEC-L-1.25NPT		313-3420-132	51, Port End Cover, Doweled, 1-1/4" NPT X 1-1/4" NPT Rear Ported
	51-PEC-L-1.25ORB		313-3420-332	51, Port End Cover, Doweled, 1-1/4" ORB X 1-1/4" ORB Rear Ported
20	n/a	n/a	n/a	n/a
21	HM391-3784-028	4	391-3784-028	Washers 5/8
22	HM391-1451-076	4	391-1451-076	Nuts 5/8

# GEAR PUMPS



## H21

Note: Box pumps below are bi-rotational

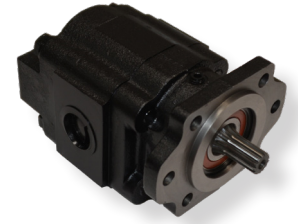
Heavy Motions Part #	Commercial		Flange	Shaft	GPM@ 1000 RPM	Gear Size	Cu. In.	Max Pressure (psi)	Rear Ports	Side Ports
	Permco									
	Muncie									
H2B6B14SB21DI	P21A646JEEF07-25		2x4 B	7/8-13 Tooth	6.4	3/4"	1.48	3000	1" ORB	3/4" ORB
	P2100A290IDDE07-14									
	PK106-02BSBB									
H2B6B14SC20DI	P21A646QUYF10-25		2x4 B	7/8-13 Tooth	8.5	1"	1.97	3000	1" NPT	1" NPT
	P2100A290MDXE10-14									
	PK108-02BPBB									
H2B6B14SC21DI	P21A646JEAF10-25		2x4 B	7/8-13 Tooth	8.5	1"	1.97	3000	1" ORB	1" ORB
	P2100A290IDZE10-14									
	PK108-02BSBB									
H2B6B14SD20DI	P21A646QUYF12-25		2x4 B	7/8-13 Tooth	10.6	1-1/4"	2.46	3000	1" NPT	1" NPT
	P2100A290MDXE12-14									
	PK111-02BPBB									
H2B6B14SD21DI	P21A646JEAF12-25		2x4 B	7/8-13 Tooth	10.6	1-1/4"	2.46	3000	1" ORB	1" ORB
	P2100A290IDZE12-14									
	PK111-02BSBB									
H2B6B14SE12DI	P21A646QUYL15-25		2x4 B	7/8-13 Tooth	12.6	1-1/2"	2.95	3000	1" NPT	1-1/4" NPT
	P2100A290MDXK15-14									
	PK113-02BPBB									
H2B6B14SE21DI	P21A646JEAL15-25		2x4 B	7/8-13 Tooth	12.8	1-1/2"	2.95	3000	1" ORB	1-1/4" ORB
	P2100A290IDZK15-14									
	PK113-02BSBB									
H2B6B14SF20DI	P21A646QUYL17-25		2x4 B	7/8-13 Tooth	14.9	1-3/4"	3.44	2500	1" NPT	1-1/4" NPT
	P2100A290MDXK17-14									
	PK115-02BPBB									
H2B6B14SF21DI	P21A646JEAL17-25		2x4 B	7/8-13 Tooth	14.9	1-3/4"	3.44	2500	1" ORB	1-1/4" ORB
	P2100A290IDZK17-14									
	PK115-02BSBB									
H2B6B14SG20DI	P21A646QUYL20-25		2x4 B	7/8-13 Tooth	17	2"	3.94	2500	1" NPT	1-1/4" NPT
	P2100A290MDXK20-14									
	PK117-02BPBB									
H2B6B14SG21DI	P21A646JEAL20-25		2x4 B	7/8-13 Tooth	17	2"	3.94	2500	1" ORB	1-1/4" ORB
	P2100A290IDZK20-14									
	PK117-02BSBB									
H2B6B14SGG20DI	P21B646BYAL2025BAL20-1		2x4 B	7/8-13 Tooth	17/17	2"/2"	3.94/ 3.94	2500	Blank	1-1/4" ORB
	P2100B290AXZK20-14BZK20-0									
	N/A									



## H35

Note: Box pumps below are counter clockwise

Heavy Motions Part #	Commercial		Flange	Shaft	GPM@ 1000 RPM	Gear Size	Cu. In.	Max Pressure (psi)	Rear Ports	Side Ports
	Permco									
	Muncie									
H35L4B14SF21DI	P350A542KEAB17-25		4 B	7/8-13 Tooth	19.4	1-3/4"	4.46	3000	1" X 1-1/2" SF	Blank
	P350A431JDZA17-14									
	N/A									



## H51

Note: Box pumps below are bi-rotational

Heavy Motions Part #	Commercial		Flange	Shaft	GPM@ 1000 RPM	Gear Size	Cu. In.	Max Pressure (psi)	Rear Ports	Side Ports
	Permco									
	Muncie									
H5B6B14SF10DILB	P51A646ONAL17-25		2x4 B	7/8-13 Tooth	19.4	1-3/4"	4.46	3000	1-1/4" ORB	1-1/4" ORB
	P5100A735NMZK1714									
	PL119-02BSBB									
H5B6B14SF20DILB	P51A646TEYL17-25		2x4 B	7/8-13 Tooth	19.4	1-3/4"	4.46	3000	1 - 1 / 4 " NPT	1-1/4" NPT
	P5100A735OFXK17-14									
	PL119-02BPBB									
H5B6B14SG20DILB	P51A646TEYL20-25		2x4 B	7/8-13 Tooth	22.2	2"	5.10	2500	1 - 1 / 4 " NPT	1-1/4" NPT
	P5100A735OFXK20-14									
	PL123-02BPBB									
H5B6B14SG25DILB	P51A646ONAL20-25		2x4 B	7/8-13 Tooth	22.2	2"	5.10	3000	1-1/4" ORB	1-1/4" ORB
	P5100A735NMZK2014									
	PL123-02BSBB									
H5B6B14SH20DILB	P51A646TEYR22-25		2x4 B	7/8-13 Tooth	25	2-1/4"	5.73	2500	1 - 1 / 4 " NPT	1-1/2" NPT
	P5100A735OFXQ22-14									
	PL125-02BPBB									
H5B6B14SI10DILB	P51A646ONAB25-25		2x4 B	7/8-13 Tooth	27.8	2-1/2"	6.375	2500	1 - 1 / 4 " ORB	Blank
	P5100A735NMZA25-14									
	PL127--02BS*B									
H5B6B14SI20DILB	P51A646TEYR25-25		2x4 B	7/8-13 Tooth	27.8	2-1/2"	6.375	2500	1 - 1 / 4 " NPT	1-1/2" NPT
	P5100A735OFXQ25-14									
	PL127-02BPBB									
H5B2B14SI22DI	P51A697BEYL25-25		2 B	7/8-13 Tooth	27.8	2-1/2"	6.375	2500	Blank	1-1/4" NPT
	P5100A586ADXK25-14									
	N/A									

## H51 Continued

H5B4B14SI22DI	P51A642BEYL25-25	4 B	7/8-13 Tooth	27.8	2-1/2"	6.375	2500	Blank	1-1/4" NPT
	P5100A531ADXK25-14								
	N/A								
H5B4B20KG20DILB	P51A642ONAB20-11	4B	1-1/4" Keyed	22.2	2"	5.10	2500	1-1/4" NPT	Blank
	P5100A531NMZA20-00								
	N/A								
H5B4B20KI23DILB	P51A642TEYL25-11	4 B	1-1/4" Keyed	27.8	2-1/2"	6.375	2500	1-1/4" NPT	1-1/4" NPT
	P5100A531OFXK25-00								
	N/A								
H5L6B14SFRV30DI	P51A546RVYL17-25	2x4 B	7/8-13 Tooth	19.4	1-3/4"	4.46	3000	1" NPT	1-1/4" NPT
	P5100A231IRXF1714								
	N/A								
H5L6B14SFSRV30DI	P51A546RVYL17-25	2x4 B	7/8-13 Tooth	19.4	1-3/4"	4.46	3000	1" ORB	1-1/4" ORB
	P5100A231SPZK1714								
	N/A								
H5L6B14SIRV25DI	P51A546RVYR25-25	2x4 B	7/8-13 Tooth	27.8	2-1/2"	6.375	2500	1" NPT	1-1/2" NPT
	P5100A231SPXQ2514								
	N/A								
H5L6B14SISRV25DI	P51A546RVAR25-25	2x4 B	7/8-13 Tooth	27.8	2-1/2"	6.375	2500	1" ORB	1-1/2" ORB
	P5100A231SPZQ2514								
	N/A								

## H330

Heavy Motions Part #	Commercial	Flange	Shaft	GPM@ 1000 RPM	Gear Size	Cu. In.	Max Pressure (psi)	Rear Ports	Side Ports
	Permco								
	Muncie								
H330L246**AB20- 25*OKAB20-1	PGP330L246**AB20- 25OK*AB20-1	2x4 B	7/8-13 Tooth	17/17	2"/2"	3.94/ 3.94	3000	1-1/4" ORB	1-1/4" ORB
	N/A								
	N/A								



## H55

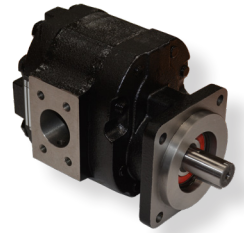
Note: Box pumps below are bi-rotational

Heavy Motions Part #	Commercial		Flange	Shaft	GPM@ 1000 RPM	Gear Size	Cu. In.	Max Pressure (psi)	Rear Ports	Side Ports
	Permco									
	Muncie									
H55B4B14SI26DI	P5151A642ONAB25-25		4 B	7/8-13 Tooth	27.8	2-1/2"	6.375	2500	1-1/4" ORB	Blank
	P5151A531NMZA25-14									
	PL127-02BS*B									
H55B4B16SI27DI	P5151A642BTAB25-98		4 B	1"-15 Tooth	27.8	2-1/2"	6.375	2500	1-1/2" NPT	Blank
	P5151A531AAZA25-87									
	N/A									
H55B4C20SI20DI (413-9113-002)	N/A		4 Bolt C	1-1/4-14 Tooth	27.8	2-1/2"	6.375	2500	1-1/4" ORB	Blank
	N/A									
	N/A									
H55B6B14SI25DI	P5151A646BTYR25-25		2x4 B	7/8-13 Tooth	27.8	2-1/2"	6.375	2500	1-1/2" NPT	1-1/2" NPT
	P5151A535AAXQ25-14									
	PL127-02BPBB									
H55B6B14SI30DI	P5151A646BTAB25-25		2x4 B	7/8-13 Tooth	27.8	2-1/2"	6.375	2500	1-1/2" NPT	Blank
	P5151A535AAZA25-14									
	N/A									
H55B6BS14SSG20DI	PGP051A346***YL*20-65*		2X4 B	7/8-13 Tooth	22.2	2"	5.10	2500	1-1/2" NPT	1-1/4" NPT
	M5151A890AAXK20-54									
	PL123-02-BPBB									
H55B6BS14SS133	P5151A335BTYR25-65		2x4 B	7/8-13 Tooth	27.8	2-1/2"	6.375	2500	1-1/2" NPT	1-1/2" NPT
	P5151A824AAXQ2554									
	N/A									
H55B6BS14SS135	P5151A335OYAR25-65		2x4 B	7/8-13 Tooth	27.8	2-1/2"	6.375	2500	1-1/4" ORB	1-1/4" ORB
	P5151A824NMZQ2554									
	N/A									
H55B6B14SI31DI	P5151A646TEAB25-25		2x4 B	7/8-13 Tooth	27.8	2-1/2"	6.375	2500	1-1/4" NPT	Blank
	P5151A535OFZA25-14									
	N/A									
H55B6B16SF32DI	P5151A646ONAB17-98		2x4 B	1"-15 Tooth	19.4	1-3/4"	4.46	3000	1-1/4" ORB	Blank
	P5151A535NMZA17-87									
	N/A									

## H7

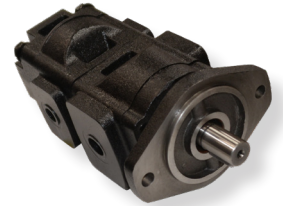
Note: Box pumps below are counter clockwise

Note: Unit is without dry valve



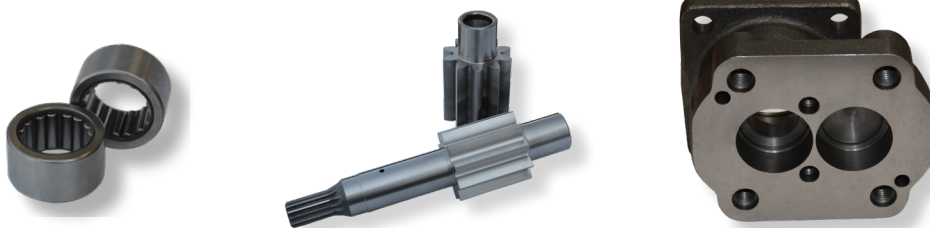
Heavy Motions Part #	Commercial		Flange	Shaft	GPM@ 1000 RPM	Gear Size	Cu. In.	Max Pressure (psi)	Rear Ports	Side Ports
	Permco	Muncie								
	H7L4C20KH20DIDV	P7600A467CDNM22-00DV								

## H62



Heavy Motions Part #	Commercial	Flange	Shaft	Cu. Cm.	Max Pressure (psi)
H62B330/230-20	PG620B0330AM3H3N-N6D5C6200230AB1D4	2 B	1" Keyed	330 / 230	3600 / 4000
H62B360/290-20	PG620B0360CE1H3N-N6D5C6200290AB1D4	2 B	1"-15 Tooth	360 / 290	3600 / 4000

**Parts are available for the following series:**  
**15, 21, 25, 31, 37, 51, 76, 315, 330, 350 and 365**



## DRY VALVE



Heavy Motions Part #	Description
HM316-9414-001	Dry Valve Assembly for 2"-SF Dry Valve Pump

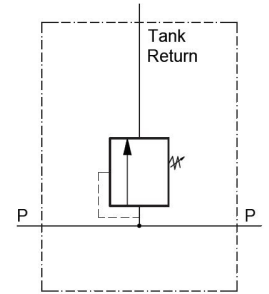
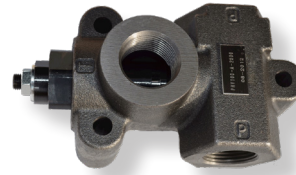


## IN-LINE ACCESSORIES

PRV series in-line pilot-operated relief valves max 60gpm/max 5000psi

### Specifications:

Input Flow	60GPM
Max Operating Pressure	5000psi @ SAE port only
Operating Temperature	-40°C to +95°C (-40°F to 200°F)
Material	High strength cast iron and high grade steel
Filtration	ISO code 16/13 SAE Class 4 or better
Mounting Position	In-line. No restriction



Heavy Motions Part #	Replacement for	Port Size	Relief Setting
PRV12-A-2500	RPL-12-A-2500	SAE-12	2500psi screw adj. 500-3500psi
PRV12-A-3000	RPL-12-A-3000	SAE-12	3000psi screw adj. 500-3500psi
PRV16-A-2500	RPL-16-A-2500	SAE-16	2500psi screw adj. 500-3500psi
PRV16-A-3000	RPL-16-A-3000	SAE-16	3000psi screw adj. 500-3000psi
PRV75-A-2500	RPL-75-A-2500	3/4" NPT	2500psi screw adj. 500-3500psi
PRV100-A-2500	RPL-100-A-2500	1" NPT	2500psi screw adj. 500-3500psi

## PRESSURE COMPENSATED FLOW CONTROL VALVE

Heavy Motions Part #	Port Size	Flow Range (gpm)	Relief adj. (psi)
PFCR51-1N50	1" NPT	0-50	1000-3000
PFCR51-50N16	1/2" NPT	0-16	
PFCR51-75N30	3/4" NPT	0-30	
PFCR51-10N16	SAE-10	0-16	
PFCR51-12N30	SAE-12	0-30	

## FLOW CONTROL VALVE

Heavy Motions Part #	Port Size	Flow Range (gpm)	Relief adj. (psi)
PFC51-1N50	1" NPT	0-50	n/a
PFC51-50N16	1/2" NPT	0-16	
PFC51-75N30	3/4" NPT	0-30	
PFC51-10N16	SAE-10	0-16	
PFC51-12N30	SAE-12	0-30	



# CASTINGS

Heavy Motions®	Parker®	Description
101-H-20	314-8020-100	C101/102, 2" GEAR HOUSING, TA1688-20
102-H-25	314-8025-100	C101/102, 2-1/2" GEAR HOUSING, TA1688-25 (5.5" wide)
15-BC	302-7300-100	15, BEARING CARRIER BLANK, NA-1687
15-H-05	302-8005-100	15, 1/2" GEAR HOUSING, DA-1688-05
15-H-07	302-8007-100	15, 3/4" GEAR HOUSING, DA-1688-07
15-H-10	302-8010-100	15, 1" GEAR HOUSING, DA-1688-10
15-H-12	302-8012-100	15, 1-1/4" GEAR HOUSING, DA-1688-12
15-H-15	302-8015-100	15, 1-1/2" GEAR HOUSING, DA-1688-15
15-H-17	302-8017-100	15, 1-3/4" GEAR HOUSING, DA-1688-17
15-H-20	302-8020-100	15, 2" GEAR HOUSING, DA-1688-20
15-PEC	302-3100-100	15, PORT END COVER, DA-1603
15-SEC-2A	302-5025-201	15, SHAFT END COVER, 2 BOLT "A" w/case drain, LA-1685-3
15-SEC-2B	302-5025-202	15, SHAFT END COVER, 2 BOLT "B" w/case drain, TA-1685-3
15-SEC-4B	302-5035-201	15, SHAFT END COVER, 4 BOLT "B" w/case drain, KA-1685-3
21-H-05	308-8205-100	21, 1/2" GEAR HOUSING, RD-020-05D, DOWELED
21-H-07	308-8207-100	21, 3/4" GEAR HOUSING, RD-020-07D, DOWELED
21-H-10	308-8210-100	21, 1" GEAR HOUSING, RD-020-10D, DOWELED
21-H-12	308-8212-100	21, 1-1/4" GEAR HOUSING, RD-020-12D, DOWELED
21-H-15	308-8215-100	21, 1-1/2" GEAR HOUSING, RD-020-15D, DOWELED
21-H-17	308-8217-100	21, 1-3/4" GEAR HOUSING, RD-020-17D, DOWELED
21-H-20	308-8220-100	21, 2" GEAR HOUSING, RD-020-20D, DOWELED
21-PEC	308-3100-100	21, PORT END COVER, XD-020D, DOWELED
21-PEC-FE	308-3100-316	21 PORT END COVER, DOWELED, 3/4" ORB X 3/4" ORB rear ported
21-PEC-JE	308-3100-327	21 PORT END COVER, DOWELED, 1" ORB X 1" ORB rear ported
21-PEC-ME	308-3100-116	21 PORT END COVER, DOWELED, 3/4" NPT X 3/4" NPT rear ported
21-PEC-QU	308-3100-127	21 PORT END COVER, DOWELED, 1" NPT X 1" NPT rear ported
21M-BC	308-7300-100	21, BEARING CARRIER BLANK MOTOR, VD-020D, DOWELED
21M-SEC-2/4B	308-5053-402	21, SHAFT END COVER, 2/4 BOLT "B" w/case drain, DB-020D, DOWELED
21M-SEC-2A	308-5020-404	21, SHAFT END COVER, 2 BOLT "A" w/case drain, WD-020D, DOWELED
21M-SEC-2B	308-5020-401	21, SHAFT END COVER, 2 BOLT "B" w/case drain, GD-020D, DOWELED
21M-SEC-2BS	308-5029-405	21, SHAFT END COVER, 2 BOLT "B" SHORT, GD-020DS, DOWELED
21M-SEC-4B	308-5030-401	21, SHAFT END COVER, 4 BOLT "B" w/case drain, ED-020D, DOWELED
21P-BC	308-7363-100	21, BEARING CARRIER w/common suction PUMP, DOWELED
25-BC	303-7300-100	25, BEARING CARRIER BLANK, KB-1687, DOWELED
25-PEC	303-3100-100	25, PORT END COVER, RA-1603, DOWELED
25-PEC-DIVV	303-3000-901	25, PORT END COVER w/3/4" holes
25M-SEC-2B	303-5021-403	25, 2 BOLT "B" SHAFT END COVER w/case drain, UA-1686-3, DOWELED
25M-SEC-2DBDL	303-5022-202	25, 2 BOLT "B" DOUBLE BEARING SHAFT END COVER w/case drain, SB-1686-3, DOWELED
25M-SEC-2C	303-5021-204	25, 2 BOLT "C" SHAFT END COVER w/case drain, YA-1686-3, DOWELED
25M-SEC-4B	303-5037-401	25, 4 BOLT "B" SHAFT END COVER w/case drain, TA-1686-3, DOWELED
25M-SEC-4DBDL	303-5022-201	25, 4 BOLT "B" DOUBLE BEARING SHAFT END COVER w/case drain, LB-1686-3, DOWELED
25M-SEC-4C	303-5031-202	25, 4 BOLT "C" SHAFT END COVER w/case drain, XA-1686-3, DOWELED
25M-SEC-4CDBL	303-5039-204	25, 4 BOLT "C" DOUBLE BEARING SHAFT END COVER w/case drain, VB-1686-3, DOWELED

Heavy Motions®	Parker®	Description
25M-SEC-PAD	303-5011-202	25, PAD MOUNT SHAFT END COVER w/case drain, SA-1686-3, DOWELED
25M-SEC-PADDBL	303-5012-201	25, PAD MOUNT DOUBLE BEARING SHAFT END COVER w/case drain, MB-1686-3, DOWELED
25P-SEC-ROUND262	303-5043-202	25, 6 BOLT ROUND SHAFT END COVER, 2-5/8" PILOT, CODE 305, CB-1685
25P-SEC-ROUND315	303-5041-201	25, 6 BOLT ROUND SHAFT END COVER, 3.15" PILOT, CODE 303, BB-1686-3
31-31-PEC-PB	312-5027-212	31-31, PORT END COVER PIGGYBACK, DC-1685-24, DOWELED
31-31-SEC-PB	312-5027-208	31/31 PIGGYBACK SHAFT END COVER; WITH CASE DRAIN, DOWELED, DC-1685-15
31-H-05	312-8205-100	31, 1/2" GEAR HOUSING, RA-1688-05, DOWELED
31-H-07	312-8207-100	31, 3/4" GEAR HOUSING, RA-1688-07, DOWELED
31-H-10	312-8210-100	31, 1" GEAR HOUSING, RA-1688-10, DOWELED
31-H-12	312-8212-100	31, 1-1/4" GEAR HOUSING, RA-1688-12, DOWELED
31-H-15	312-8215-100	31, 1-1/2" GEAR HOUSING, RA-1688-15, DOWELED
31-H-17	312-8217-100	31, 1-3/4" GEAR HOUSING, RA-1688-17, DOWELED
31-H-20	312-8220-100	31, 2" GEAR HOUSING, RA-1688-20, DOWELED
31-H-25	312-8225-100	31, 2-1/2" GEAR HOUSING, RA-1688-25, DOWELED
31-PEC	312-3120-100	31, PORT END COVER, XA-1603, DOWELED
31-PEC-L	312-3420-100	31, PORT END COVER LARGE PORTS, XA-1603RP, DOWELED
315-BC-1	326-7100-100	315, BEARING CARRIER 1 IN 1 OUT, NO BUSHING, DOWELED
315-BC-2	326-7300-100	315, BEARING CARRIER 1 IN 2 OUT, NO BUSHING, DOWELED
315M-H-05	326-8205-100	315 MOTOR, 1/2" GEAR HOUSING, DOWELED
315M-H-07	326-8207-100	315 MOTOR, 3/4" GEAR HOUSING, DOWELED
315M-H-10	326-8210-100	315 MOTOR, 1" GEAR HOUSING, DOWELED
315M-H-12	326-8212-100	315 MOTOR, 1-1/4" GEAR HOUSING, DOWELED
315M-H-15	326-8215-100	315 MOTOR, 1-1/2" GEAR HOUSING, DOWELED
315M-H-17	326-8217-100	315 MOTOR, 1-3/4" GEAR HOUSING, DOWELED
315M-H-20	326-8220-100	315 MOTOR, 2" GEAR HOUSING, DOWELED
315M-PEC-S	326-3020-100	315 MOTOR, PORT END COVER SIDE PORTING, NO BUSHING, DOWELED
315M-SEC-2A	326-5029-404	315 MOTOR, 2 BOLT "A" SHAFT END COVER, w/ case drain, NO BUSHING, DOWELED
315M-SEC-2B	326-5029-403	315 MOTOR, 2 BOLT "B" SHAFT END COVER, w/case drain, NO BUSHING, DOWELED
315P-H-05	326-8105-100	315 PUMP, 1/2" GEAR HOUSING, DOWELED
315P-H-07	326-8107-100	315 PUMP, 3/4" GEAR HOUSING, DOWELED
315P-H-10	326-8110-100	315 PUMP, 1" GEAR HOUSING, DOWELED
315P-H-12	326-8112-100	315 PUMP, 1-1/4" GEAR HOUSING, DOWELED
315P-H-15	326-8115-100	315 PUMP, 1-1/2" GEAR HOUSING, DOWELED
315P-H-17	326-8117-100	315 PUMP, 1-3/4" GEAR HOUSING, DOWELED
315P-H-20	326-8120-100	315 PUMP, 2" GEAR HOUSING, DOWELED
315P-PEC-0	326-3000-100	315 PUMP, PORT END COVER BLANK, NO BUSHING, DOWELED
315P-PEC-S	326-3030-100	315 PUMP, PORT END COVER SIDE PORTING, NO BUSHING, DOWELED
315P-SEC-2A	326-5029-204	315 PUMP, 2 BOLT "A" SHAFT END COVER, NO BUSHING, DOWELED
315P-SEC-2B	326-5029-203	315 PUMP, 2 BOLT "B" SHAFT END COVER, NO BUSHING, DOWELED
31M-BC	312-7740-100	31 MOTOR, BEARING CARRIER BLANK, VA-1687, DOWELED
31M-SEC-2/4B	312-5057-401	31, 2/4 BOLT "B" SHAFT END COVER w/case drain, GEB-1685-3, DOWELED
31M-SEC-2A	312-5027-404	31, 2 BOLT "A" SHAFT END COVER w/case drain, WB-1685-3, DOWELED
31M-SEC-2B	312-5027-401	31, 2 BOLT "B" SHAFT END COVER w/case drain, GB-1685-3, DOWELED

Heavy Motions®	Parker®	Description
31M-SEC-4B	312-5037-401	31, 4 BOLT "B" SHAFT END COVER w/case drain, EB-1685-3, DOWELED
31M-SEC-4C	312-5037-402	31, 4 BOLT "C" SHAFT END COVER w/case drain, PB-1685-3, DOWELED
31M-SEC-PAD	312-5017-401	31, PAD MOUNT SHAFT END COVER w/case drain, AC-1685-3, DOWELED
31M-SEC-ROUND	312-5047-401	31, 6 BOLT ROUND SHAFT END COVER w/case drain, FB-1685-3, DOWELED
31P-BC	312-7723-100	31, PUMP BEARING CARRIER w/common suction, WA-1687-11, DOWELED
31P-SEC-2BS	312-5029-201	31, 2 BOLT "B" SHORT SHAFT END COVER, DB-1685-3, DOWELED
33-BC-0	324-7200-100	330, MOTOR BEARING CARRIER BLANK, w/o bushing, DOWELED
33-BC-1	324-7100-100	330, BEARING CARRIER, SINGLE OUTLET, w/o bushing, DOWELED
33-BC-2	324-7300-100	330, BEARING CARRIER, DUAL OUTLET, w/o bushing, DOWELED
330P-315 BC	324-3050-100	330P-315 BEARING CARRIER PIGGYBACK CW
33M-H-05	324-8205-100	330 MOTOR, 1/2" GEAR HOUSING, DOWELED
33M-H-07	324-8207-100	330 MOTOR, 3/4" GEAR HOUSING, DOWELED
33M-H-10	324-8210-100	330 MOTOR, 1" GEAR HOUSING, DOWELED
33M-H-12	324-8212-100	330 MOTOR, 1-1/4" GEAR HOUSING, DOWELED
33M-H-15	324-8215-100	330 MOTOR, 1-1/2" GEAR HOUSING, DOWELED
33M-H-17	324-8217-100	330 MOTOR, 1-3/4" GEAR HOUSING, DOWELED
33M-H-20	324-8220-100	330 MOTOR, 2" GEAR HOUSING, DOWELED
33M-PEC-S	324-3020-100	330 MOTOR, PORT END COVER SIDE PORTING, w/o bushing, DOWELED
33P-H-05	324-8105-100	330 PUMP, 1/2" GEAR HOUSING, RA-05, DOWELED
33P-H-07	324-8107-100	330 PUMP, 3/4" GEAR HOUSING, RA-07, DOWELED
33P-H-10	324-8110-100	330 PUMP, 1" GEAR HOUSING, RA-10, DOWELED
33P-H-12	324-8112-100	330 PUMP, 1-1/4" GEAR HOUSING, RA-12, DOWELED
33P-H-15	324-8115-100	330 PUMP, 1-1/2" GEAR HOUSING, RA-15, DOWELED
33P-H-17	324-8117-100	330 PUMP, 1-3/4" GEAR HOUSING, RA-17, DOWELED
33P-H-20	324-8120-100	330 PUMP, 2" GEAR HOUSING, RA-20, DOWELED
33P-PEC-0	324-3000-100	330 PUMP, PORT END COVER BLANK, w/o bushing, XA-03-T, DOWELED
33P-PEC-S	324-3010-100	330 PUMP, PORT END COVER SIDE PORTING, w/o bushing, XA-03, DOWELED
33P-PEC-S-JF	324-3012-377	330 PUMP, PORT END COVER, 1" ORB X 1-1/4" ORB, side ported, CCW, w/o bushing, DOWELED
33P-SEC-2/4B	324-5053-201	330, 2/4 BOLT "B" SHAFT END COVER, w/o bushing, DOWELED
33P-SEC-2B	324-5023-201	330, 2 BOLT "B" SHAFT END COVER, w/o bushing, GB-3, DOWELED
33P-SEC-4B	324-5033-201	330, 4 BOLT "B" SHAFT END COVER, w/o bushing, EB-3, DOWELED
33P-SEC-4C	324-5033-202	330, 4 BOLT "C" SHAFT END COVER, w/o bushing, PB-3, DOWELED
35-315-PEC-PB	323-3050-100	350 TO 315 PORT END COVER PIGGYBACK
35-BC-0	323-7200-100	350 MOTOR BEARING CARRIER, BLANK, w/o bushing, DOWELED
35-BC-1	323-7100-100	350, BEARING CARRIER, SINGLE OUTLET, w/o bushing, DOWELED
35-BC-2	323-7300-100	350, BEARING CARRIER, DUAL OUTLET, w/o bushing, TA-11-2, DOWELED
35M-H-05	323-8205-100	350 MOTOR, 1/2" GEAR HOUSING, DOWELED
35M-H-07	323-8207-100	350 MOTOR, 3/4" GEAR HOUSING, DOWELED
35M-H-10	323-8210-100	350 MOTOR, 1" GEAR HOUSING, DOWELED
35M-H-12	323-8212-100	350 MOTOR, 1-1/4" GEAR HOUSING, DOWELED
35M-H-15	323-8215-100	350 MOTOR, 1-1/2" GEAR HOUSING, DOWELED
35M-H-17	323-8217-100	350 MOTOR, 1-3/4" GEAR HOUSING, DOWELED
35M-H-20	323-8220-100	350 MOTOR, 2" GEAR HOUSING, DOWELED

Heavy Motions®	Parker®	Description
35M-H-22	323-8222-100	350 MOTOR, 2-1/4" GEAR HOUSING, DOWELED
35M-H-25	323-8225-100	350 MOTOR, 2-1/2" GEAR HOUSING, DOWELED
35M-PEC-S	323-3020-100	350 MOTOR, PORT END COVER, SIDE PORTING w/o bushing, ZA-03-M, DOWELED
35P-H-05	323-8105-100	350 PUMP, 1/2" GEAR HOUSING, MA-05, DOWELED
35P-H-07	323-8107-100	350 PUMP, 3/4" GEAR HOUSING, MA-07, DOWELED
35P-H-10	323-8110-100	350 PUMP, 1" GEAR HOUSING, MA-10, DOWELED
35P-H-12	323-8112-100	350 PUMP, 1-1/4" GEAR HOUSING, MA-12, DOWELED
35P-H-15	323-8115-100	350 PUMP, 1-1/2" GEAR HOUSING, MA-15, DOWELED
35P-H-17	323-8117-100	350 PUMP, 1-3/4" GEAR HOUSING, MA-17, DOWELED
35P-H-20	323-8120-100	350 PUMP, 2" GEAR HOUSING, MA-20, DOWELED
35P-H-22	323-8122-100	350 PUMP, 2-1/4" GEAR HOUSING, MA-22, DOWELED
35P-H-25	323-8125-100	350 PUMP, 2-1/2" GEAR HOUSING, MA-25, DOWELED
35P-PEC-0	323-3000-100	350, PORT END COVER BLANK, w/o bushing, ZA-03-T, DOWELED
35P-PEC-S	323-3010-100	350 PUMP, PORT END COVER, SIDE PORTING, w/o bushing, DOWELED
35P-PEC-S-JF	323-3012-377	350 PUMP, PORT END COVER, 1" ORB X 1-1/4" ORB, side ported, CCW, w/o bushing, DOWELED
35P-PEC-SP	323-3012-100	350 PUMP, PORT END COVER, SIDE OR REAR PORTING w/o bushing, MILLED, DOWELED
35P-PEC-SP-RR	323-3012-970	350 PUMP, PORT END COVER, 1" ORB X 1-1/4" ORB, rear ported, w/o bushing, DOWELED
35P-SEC-2/4B	323-5053-201	350, 2/4 BOLT "B" SHAFT END COVER, w/o bushing, RHB-3, DOWELED
35P-SEC-2B	323-5023-201	350, 2 BOLT "B" SHAFT END COVER, w/o bushing, RB-3, DOWELED
35P-SEC-2C	323-5023-202	350, 2 BOLT "C" SHAFT END COVER, w/o bushing, NB-3, DOWELED
35P-SEC-4BX	323-5033-201	350, 4 BOLT "B" SHAFT END COVER, w/o bushing, HB-3, DOWELED, with extra bolt clearance
35P-SEC-4C	323-5033-202	350, 4 BOLT "C" SHAFT END COVER, w/o bushing, KB-3, DOWELED
365-BC-1	322-7100-100	365, BEARING CARRIER, SINGLE OUTLET, w/o bushing, DOWELED
365-BC-2	322-7300-100	365, BEARING CARRIER, DUAL OUTLET, w/o bushing, DOWELED
365M-H-05	322-8205-100	365 BEARING MOTOR, 1/2" GEAR HOUSING, DOWELED
365M-H-07	322-8207-100	365 MOTOR, 3/4" GEAR HOUSING, DOWELED
365M-H-10	322-8210-100	365 MOTOR, 1" GEAR HOUSING, DOWELED
365M-H-12	322-8212-100	365 MOTOR, 1-1/4" GEAR HOUSING, DOWELED
365M-H-15	322-8215-100	365 MOTOR, 1-1/2" GEAR HOUSING, DOWELED
365M-H-17	322-8217-100	365 MOTOR, 1-3/4" GEAR HOUSING, DOWELED
365M-H-20	322-8220-100	365 MOTOR, 2" GEAR HOUSING, DOWELED
365M-H-22	322-8222-100	365 MOTOR, 2-1/4" GEAR HOUSING, DOWELED
365M-H-25	322-8225-100	365 MOTOR, 2-1/2" GEAR HOUSING, DOWELED
365M-PEC-S	322-3020-100	365 MOTOR, PORT END COVER, SIDE PORTING, W/O BUSHING, DOWELED
365M-SEC-2C	322-5023-402	365 MOTOR, 2 BOLT "C" SHAFT END COVER, W/ CASE DRAIN, W/O BUSHING, DOWELED
365M-SEC-4C	322-5033-402	365 MOTOR, 4 BOLT "C" SHAFT END COVER, W CASE DRAIN, W/O BUSHING, DOWELED
365P-H-05	322-8105-100	365 PUMP, 1/2" GEAR HOUSING, DOWELED
365P-H-07	322-8107-100	365 PUMP, 3/4" GEAR HOUSING, DOWELED
365P-H-10	322-8110-100	365 PUMP, 1" GEAR HOUSING, DOWELED
365P-H-12	322-8112-100	365 PUMP, 1-1/4" GEAR HOUSING, DOWELED
365P-H-15	322-8115-100	365 PUMP, 1-1/2" GEAR HOUSING, DOWELED
365P-H-17	322-8117-100	365 PUMP, 1-3/4" GEAR HOUSING, DOWELED
365P-H-20	322-8120-100	365 PUMP, 2" GEAR HOUSING, DOWELED

Heavy Motions®	Parker ®	Description
365P-H-22	322-8122-100	365 PUMP, 2-1/4" GEAR HOUSING, DOWELED
365P-H-25	322-8125-100	365 PUMP, 2-1/2" GEAR HOUSING, DOWELED
365P-PEC-0	322-3000-100	365 PUMP, PORT END COVER BLANK, w/o bushing, DOWELED
365P-PEC-S	322-3010-100	365 PUMP, PORT END COVER PORTING, w/o bushing, DOWELED
365P-SEC-2B	322-5023-201	365 PUMP, 2 BOLT "B" SHAFT END COVER, w/o bushing, DOWELED
365P-SEC-2C	322-5023-202	365 PUMP, 2 BOLT "C" SHAFT END COVER, w/o bushing, DOWELED
365P-SEC-4B	322-5033-201	365 PUMP, 4 BOLT "B" SHAFT END COVER, w/o bushing, DOWELED
365P-SEC-4C	322-5033-202	365 PUMP, 4 BOLT "C" SHAFT END COVER, w/o bushing, DOWELED
37-H-05	305-8005-100	37, 1/2" GEAR HOUSING, LA-1688-05
37-H-07	305-8007-100	37, 3/4" GEAR HOUSING, LA-1688-07
37-H-10	305-8010-100	37, 1" GEAR HOUSING, LA-1688-10
37-H-12	305-8012-100	37, 1-1/4" GEAR HOUSING, LA-1688-12
37-H-15	305-8015-100	37, 1-1/2" GEAR HOUSING, LA-1688-15
37-H-17	305-8017-100	37, 1-3/4" GEAR HOUSING, LA-1688-17
37-H-20	305-8020-100	37, 2" GEAR HOUSING, LA-1688-20
37-H-22	305-8022-100	37, 2-1/4" GEAR HOUSING, LA-1688-22
37-H-25	305-8025-100	37, 2-1/2" GEAR HOUSING, LA-1688-25
37-H-30	305-8030-100	37, 3" GEAR HOUSING, LA-1688-30
37-PEC	305-3100-100	37, PORT END COVER, NA-1603
37M-BC	305-7300-100	37, BEARING CARRIER BLANK MOTOR, JA-1687
37M-SEC-2C	305-5021-401	37, 2 BOLT "C" SHAFT END COVER w/case drain, MA-1686-3
37M-SEC-4C	305-5031-403	37, 4 BOLT "C" SHAFT END COVER w/case drain, HA-1686-3
51-H-05	313-8205-100	25/51, 1/2" GEAR HOUSING, MA-1688-05, DOWELED
51-H-07	313-8207-100	25/51, 3/4" GEAR HOUSING, MA-1688-07, DOWELED
51-H-10	313-8210-100	25/51, 1" GEAR HOUSING, MA-1688-10, DOWELED
51-H-12	313-8212-100	25/51, 1-1/4" GEAR HOUSING, MA-1688-12, DOWELED
51-H-15	313-8215-100	25/51, 1-1/2" GEAR HOUSING, MA-1688-15, DOWELED
51-H-17	313-8217-100	25/51, 1-3/4" GEAR HOUSING, MA-1688-17, DOWELED
51-H-20	313-8220-100	25/51, 2" GEAR HOUSING, MA-1688-20, DOWELED
51-H-22	313-8222-100	25/51, 2-1/4" GEAR HOUSING, MA-1688-22, DOWELED
51-H-25	313-8225-100	25/51, 2-1/2" GEAR HOUSING, MA-1688-25, DOWELED
51-H-30	313-8230-100	25/51, 3" GEAR HOUSING, MA-1688-30, DOWELED
51-PEC	313-3120-100	51, PORT END COVER, ZA-1603, DOWELED
51-PEC-L	313-3420-100	51, PORT END COVER, will accept ports up to 1-1/4", ZA-1603-RP, DOWELED
51-PEC-L-1.25NPT	313-3420-132	51, PORT END COVER, DOWELED, 1-1/4" NPT X 1-1/4" NPT rear ported
51-PEC-L-1.25ORB	313-3420-332	51, PORT END COVER, DOWELED, 1-1/4" ORB X 1-1/4" ORB rear ported
51-PEC-RVCCW		51-PEC MACHINED FOR RELIEF VALVE, CCW
51-PEC-RVCW		51-PEC MACHINED FOR RELIEF VALVE, CW
5151-PEC		5151, PORT END COVER, BLANK, DOWELED
5151-PEC-NPT-1.25		5151, PORT END COVER, PORTED 1-1/4" NPT, DOWELED
5151-PEC-NPT-1.5		5151, PORT END COVER, PORTED 1-1/2" NPT, DOWELED
5151-PEC-ORB	315-3220-332	5151, PORT END COVER, PORTED #20 ORB, DOWELED
51M-BC	313-7740-100	51 MOTOR, BEARING CARRIER BLANK, TA-1687, DOWELED

Heavy Motions®	Parker®	Description
51M-SEC-2/4B	313-5057-401	51, 2/4 BOLT "B" SHAFT END COVER w/case drain, DOWELED
51M-SEC-2/4BS	313-5057-404	51, 2/4 BOLT "B" SHORT SHAFT END COVER w/case drain, DOWELED
51M-SEC-2B	313-5027-401	51, 2 BOLT "B" SHAFT END COVER w/case drain, RB-1685-3, DOWELED
51M-SEC-2C	313-5027-402	51, 2 BOLT "C" SHAFT END COVER w/case drain, NB-1685-3, DOWELED
51M-SEC-4B	313-5037-401	51, 4 BOLT "B" SHAFT END COVER w/case drain, HB-1685-3, DOWELED
51M-SEC-4C	313-5037-402	51, 4 BOLT "C" SHAFT END COVER w/case drain, KB-1685-3, DOWELED
51M-SEC-PAD	313-5017-401	51, PAD MOUNT SHAFT END COVER w/case drain, MB-1685-3, DOWELED
51P-BC	313-7723-100	51 PUMP, BEARING CARRIER w/common suction, TA-1687-11, DOWELED
51P-SEC-2CS	313-5027-206	51, 2 BOLT "C" SHORT SHAFT END COVER, LB-1685-3, DOWELED
51P-SEC-ROUND	313-5047-201	51, 6 BOLT ROUND SHAFT END COVER, 2-5/8" PILOT, DOWELED
76-31-SEC-PB		76/31 PIGGYBACK SHAFT END COVER; DOWELED, WITH CASE DRAIN, ZB-1685-15
76-H-07	316-8207-100	76, 3/4" GEAR HOUSING, SA-1688-07, DOWELED
76-H-10	316-8210-100	76, 1" GEAR HOUSING, SA-1688-10, DOWELED
76-H-12	316-8212-100	76, 1-1/4" GEAR HOUSING, SA-1688-12, DOWELED
76-H-15	316-8215-100	76, 1-1/2" GEAR HOUSING, SA-1688-15, DOWELED
76-H-17	316-8217-100	76, 1-3/4" GEAR HOUSING, SA-1688-17, DOWELED
76-H-20	316-8220-100	76, 2" GEAR HOUSING, SA-1688-20, DOWELED
76-H-22	316-8222-100	76, 2-1/4" GEAR HOUSING, SA-1688-22, DOWELED
76-H-25	316-8225-100	76, 2-1/2" GEAR HOUSING, SA-1688-25, DOWELED
76-H-27	316-8227-100	76, 2-3/4" GEAR HOUSING, SA-1688-27, DOWELED
76-H-30	316-8230-100	76, 3" GEAR HOUSING, SA-1688-30, DOWELED
76-PEC	316-3120-100	76, PORT END COVER, YA-1603, DOWELED
76M-BC	316-7740-100	76 MOTOR, BEARING CARRIER BLANK, YA-1687, DOWELED
76M-SEC-2C	316-5027-402	76, 2 BOLT "C" SHAFT END COVER w/case drain, VB-1685-3, DOWELED
76M-SEC-4B	316-5037-401	76, 4 BOLT "B" SHAFT END COVER w/case drain, SB-1685-3, DOWELED
76M-SEC-4C	316-5037-402	76, 4 BOLT "C" SHAFT END COVER w/case drain, TB-1685-3, DOWELED
76M-SEC-4D	316-5037-403	76, 4 BOLT "D" SHAFT END COVER w/case drain, UB-1685-3, DOWELED
76P-BC	316-7723-100	76 PUMP, BEARING CARRIER w/common suction, YA-1687-11, DOWELED
G102-H-20	308-8020-901	G101/G102, 2" GEAR HOUSING
JC1685D-15	313-5029-208	51 to 51 piggyback shaft end cover, with weep hole, doweled
JC1685D-24	313-5027-212	51 to 51 or 51 to 31 piggyback port end cover, doweled
PL-1025-17	315-8217-101	5151, 1-3/4" GEAR HOUSING, DOWELED
PL-1025-20	315-8220-101	5151, 2" GEAR HOUSING, DOWELED
PL-1025-22	315-8222-101	5151, 2-1/4" GEAR HOUSING, DOWELED
PL-1025-25	315-8225-101	5151, 2-1/2" GEAR HOUSING, DOWELED

## GEARS/GEARSETS

Heavy Motions®	Parker®	Description
15-G-05	302-2805-000	GEAR SET, BA-1007M-05, 1/2"
15-G-07	302-2807-000	GEAR SET, BA-1007M-07, 3/4"
15-G-10	302-2810-000	GEAR SET, BA-1007M-10, 1"

Heavy Motions®	Parker®	Description
15-G-12	302-2812-000	GEAR SET, BA-1007M-12, 1-1/4"
15-G-15	302-2815-000	GEAR SET, BA-1007M-15, 1-1/2"
15-G-17	302-2817-000	GEAR SET, BA-1007M-17, 1-3/4"
15-G-20	302-2820-000	GEAR SET, BA-1007M-20, 2"
25-G-05	303-2805-000	GEAR SET, KA-1007M-05, 1/2"
25-G-07	303-2807-000	GEAR SET, KA-1007M-07, 3/4"
25-G-10	303-2810-000	GEAR SET, KA-1007M-10, 1"
25-G-12	303-2812-000	GEAR SET, KA-1007M-12, 1-1/4"
25-G-15	303-2815-000	GEAR SET, KA-1007M-15, 1-1/2"
25-G-17	303-2817-000	GEAR SET, KA-1007M-17, 1-3/4"
25-G-20	303-2820-000	GEAR SET, KA-1007M-20, 2"
25-G-22	303-2822-000	GEAR SET, KA-1007M-22, 2-1/4"
25-G-25	303-2825-000	GEAR SET, KA-1007M-25, 2-1/2"
30-G-05	312-2805-000	GEAR SET, V-1007M-05, 1/2"
30-G-07	312-2807-000	GEAR SET, V-1007M-07, 3/4"
30-G-10	312-2810-000	GEAR SET, V-1007M-10, 1"
30-G-12	312-2812-000	GEAR SET, V-1007M-12, 1-1/4"
30-G-15	312-2815-000	GEAR SET, V-1007M-15, 1-1/2"
30-G-17	312-2817-000	GEAR SET, V-1007M-17, 1-3/4"
30-G-20	312-2820-000	GEAR SET, V-1007M-20, 2"
30-G-22	312-2822-000	GEAR SET, V-1007M-22, 2-1/4"
30-G-25	312-2825-000	GEAR SET, V-1007M-25, 2-1/2"
30-GS-14K-07	312-2907-730	SHAFT/GEAR SET 7/8 KEYED, DD-1135M-3-07, 3/4"
30-GS-14K-10	312-2910-730	SHAFT/GEAR SET 7/8 KEYED, DD-1135M-3-10, 1"
30-GS-14K-12	312-2912-730	SHAFT/GEAR SET 7/8 KEYED, DD-1135M-3-12, 1-1/4"
30-GS-14K-15	312-2915-730	SHAFT/GEAR SET 7/8 KEYED, DD-1135M-3-15, 1-1/2"
30-GS-14K-17	312-2917-730	SHAFT/GEAR SET 7/8 KEYED, DD-1135M-3-17, 1-3/4"
30-GS-14K-20	312-2920-730	SHAFT/GEAR SET 7/8 KEYED, DD-1135M-3-20, 2"
30-GS-14S-07	312-2907-230	SHAFT/GEAR SET 7/8-13 TOOTH, BD-1135M-3-07, 3/4"
30-GS-14S-10	312-2910-230	SHAFT/GEAR SET 7/8-13 TOOTH, BD-1135M-3-10, 1"
30-GS-14S-12	312-2912-230	SHAFT/GEAR SET 7/8-13 TOOTH, BD-1135M-3-12, 1-1/4"
30-GS-14S-15	312-2915-230	SHAFT/GEAR SET 7/8-13 TOOTH, BD-1135M-3-15, 1-1/2"
30-GS-14S-17	312-2917-230	SHAFT/GEAR SET 7/8-13 TOOTH, BD-1135M-3-17, 1-3/4"
30-GS-14S-20	312-2920-230	SHAFT/GEAR SET 7/8-13 TOOTH, BD-1135M-3-20, 2"
30-GS-14S-25	312-2925-230	SHAFT/GEAR SET 7/8-13 TOOTH, BD-1135M-3-25, 2-1/2"
30-GS-14SS-07	312-2907-430	SHAFT/GEAR SET 7/8-13 TOOTH SHORT, BD-1135M-4-07, 3/4"
30-GS-14SS-10	312-2910-430	SHAFT/GEAR SET 7/8-13 TOOTH SHORT, BD-1135M-4-10, 1"
30-GS-14SS-12	312-2912-430	SHAFT/GEAR SET 7/8-13 TOOTH SHORT, BD-1135M-4-12, 1-1/4"
30-GS-14SS-15	312-2915-430	SHAFT/GEAR SET 7/8-13 TOOTH SHORT, BD-1135M-4-15, 1-1/2"
30-GS-14SS-17	312-2917-430	SHAFT/GEAR SET 7/8-13 TOOTH SHORT, BD-1135M-4-17, 1-3/4"
30-GS-14SS-20	312-2920-430	SHAFT/GEAR SET 7/8-13 TOOTH SHORT, BD-1135M-4-20, 2"
30-GS-16K-05	312-2905-740	SHAFT/GEAR SET 1" KEYED, ED-1135M-3-05, 1/2"
30-GS-16K-07	312-2907-740	SHAFT/GEAR SET 1" KEYED, ED-1135M-3-07, 3/4"
30-GS-16K-10	312-2910-740	SHAFT/GEAR SET 1" KEYED, ED-1135M-3-10, 1"
30-GS-16K-12	312-2912-740	SHAFT/GEAR SET 1" KEYED, ED-1135M-3-12, 1-1/4"
30-GS-16K-15	312-2915-740	SHAFT/GEAR SET 1" KEYED, ED-1135M-3-15, 1-1/2"
30-GS-16K-17	312-2917-740	SHAFT/GEAR SET 1" KEYED, ED-1135M-3-17, 1-3/4"



Heavy Motions®	Parker®	Description
30-GS-16K-20	312-2920-740	SHAFT/GEAR SET 1" KEYED, ED-1135M-3-20, 2"
30-GS-16S-10	312-2910-240	SHAFT/GEAR SET 1"-15 TOOTH, 1"
30-GS-16S-12	312-2912-240	SHAFT/GEAR SET 1"-15 TOOTH, 1-1/4"
30-GS-16S-15	312-2915-240	SHAFT/GEAR SET 1"-15 TOOTH, 1-1/2"
30-GS-16S-17	312-2917-240	SHAFT/GEAR SET 1"-15 TOOTH, 1-3/4"
30-GS-16S-20	312-2920-240	SHAFT/GEAR SET 1"-15 TOOTH, 2"
315-G-05	326-2805-000	GEAR SET, 1/2"
315-G-07	326-2807-000	GEAR SET, 3/4"
315-G-10	326-2810-000	GEAR SET, 1"
315-G-12	326-2812-000	GEAR SET, 1-1/4"
315-G-15	326-2815-000	GEAR SET, 1-1/2"
315-G-17	326-2817-000	GEAR SET, 1-3/4"
315-G-20	326-2820-000	GEAR SET, 2"
315-GS-10KS-05	326-2905-920	SHAFT/GEAR SET, 5/8" KEYED SHORT, 1/2"
315-GS-10KS-07	326-2907-920	SHAFT/GEAR SET, 5/8" KEYED SHORT, 3/4"
315-GS-10KS-10	326-2910-920	SHAFT/GEAR SET, 5/8" KEYED SHORT, 1"
315-GS-10KS-12	326-2912-920	SHAFT/GEAR SET, 5/8" KEYED SHORT, 1-1/4"
315-GS-10KS-15	326-2915-920	SHAFT/GEAR SET, 5/8" KEYED SHORT, 1-1/2"
315-GS-10KS-17	326-2917-920	SHAFT/GEAR SET, 5/8" KEYED SHORT, 1-3/4"
315-GS-10KS-20	326-2920-920	SHAFT/GEAR SET, 5/8" KEYED SHORT, 2"
315-GS-10S-05	326-2905-420	SHAFT/GEAR SET, 5/8-9 TOOTH SHORT, 1/2"
315-GS-10S-07	326-2907-420	SHAFT/GEAR SET, 5/8-9 TOOTH SHORT, 3/4"
315-GS-10S-10	326-2910-420	SHAFT/GEAR SET, 5/8-9 TOOTH SHORT, 1"
315-GS-10S-12	326-2912-420	SHAFT/GEAR SET, 5/8-9 TOOTH SHORT, 1-1/4"
315-GS-10S-15	326-2915-420	SHAFT/GEAR SET, 5/8-9 TOOTH SHORT, 1-1/2"
315-GS-10S-17	326-2917-420	SHAFT/GEAR SET, 5/8-9 TOOTH SHORT, 1-3/4"
315-GS-10S-20	326-2920-420	SHAFT/GEAR SET, 5/8-9 TOOTH SHORT, 2"
315-GS-14K-05	326-2905-930	SHAFT/GEAR SET, 7/8" KEYED SHORT, 1/2"
315-GS-14K-07	326-2907-930	SHAFT/GEAR SET, 7/8" KEYED SHORT, 3/4"
315-GS-14K-10	326-2910-930	SHAFT/GEAR SET, 7/8" KEYED SHORT, 1"
315-GS-14K-12	326-2912-930	SHAFT/GEAR SET, 7/8" KEYED SHORT, 1-1/4"
315-GS-14K-15	326-2915-930	SHAFT/GEAR SET, 7/8" KEYED SHORT, 1-1/2"
315-GS-14K-17	326-2917-930	SHAFT/GEAR SET, 7/8" KEYED SHORT, 1-3/4"
315-GS-14K-20	326-2920-930	SHAFT/GEAR SET, 7/8" KEYED SHORT, 2"
315-GS-14KT-05	326-2905-604	SHAFT/GEAR SET, 7/8" KEYED TAPERED (CLUTCH), 1/2"
315-GS-14KT-07	326-2907-604	SHAFT/GEAR SET, 7/8" KEYED TAPERED (CLUTCH), 3/4"
315-GS-14KT-10	326-2910-604	SHAFT/GEAR SET, 7/8" KEYED TAPERED (CLUTCH), 1"
315-GS-14KT-12	326-2912-604	SHAFT/GEAR SET, 7/8" KEYED TAPERED (CLUTCH), 1-1/4"
315-GS-14KT-15	326-2915-604	SHAFT/GEAR SET, 7/8" KEYED TAPERED (CLUTCH), 1-1/2"
315-GS-14KT-17	326-2917-604	SHAFT/GEAR SET, 7/8" KEYED TAPERED (CLUTCH), 1-3/4"
315-GS-14KT-20	326-2920-604	SHAFT/GEAR SET, 7/8" KEYED TAPERED (CLUTCH), 2"
315-GS-14SS-05	326-2905-430	SHAFT/GEAR SET, 7/8-13 TOOTH SHORT, 1/2"
315-GS-14SS-07	326-2907-430	SHAFT/GEAR SET, 7/8-13 TOOTH SHORT, 3/4"

Heavy Motions®	Parker®	Description
315-GS-14SS-10	326-2910-430	SHAFT/GEAR SET, 7/8-13 TOOTH SHORT, 1"
315-GS-14SS-12	326-2912-430	SHAFT/GEAR SET, 7/8-13 TOOTH SHORT, 1-1/4"
315-GS-14SS-15	326-2915-430	SHAFT/GEAR SET, 7/8-13 TOOTH SHORT, 1-1/2"
315-GS-14SS-17	326-2917-430	SHAFT/GEAR SET, 7/8-13 TOOTH SHORT, 1-3/4"
315-GS-14SS-20	326-2920-430	SHAFT/GEAR SET, 7/8-13 TOOTH SHORT, 20"
33-G-05	324-2805-000	GEAR SET, 1/2"
33-G-07	324-2807-000	GEAR SET, 3/4"
33-G-10	324-2810-000	GEAR SET, 1"
33-G-12	324-2812-000	GEAR SET, 1-1/4"
33-G-15	324-2815-000	GEAR SET, 1-1/2"
33-G-17	324-2817-000	GEAR SET, 1-3/4"
33-G-20	324-2820-000	GEAR SET, 2"
33-GS-14K-05	324-2905-730	SHAFT/GEAR SET, 7/8 KEYED, 1/2"
33-GS-14K-07	324-2907-730	SHAFT/GEAR SET, 7/8 KEYED, 3/4"
33-GS-14K-10	324-2910-730	SHAFT/GEAR SET, 7/8 KEYED, 1"
33-GS-14K-12	324-2912-730	SHAFT/GEAR SET, 7/8 KEYED, 1-1/4"
33-GS-14K-15	324-2915-730	SHAFT/GEAR SET, 7/8 KEYED, 1-1/2"
33-GS-14K-17	324-2917-730	SHAFT/GEAR SET, 7/8 KEYED, 1-3/4"
33-GS-14K-20	324-2920-730	SHAFT/GEAR SET, 7/8 KEYED, 2"
33-GS-14S-07	324-2907-230	SHAFT/GEAR SET, 7/8-13 TOOTH, 3/4"
33-GS-14S-10	324-2910-230	SHAFT/GEAR SET, 7/8-13 TOOTH, 1"
33-GS-14S-12	324-2912-230	SHAFT/GEAR SET, 7/8-13 TOOTH, 1-1/4"
33-GS-14S-15	324-2915-230	SHAFT/GEAR SET, 7/8-13 TOOTH, 1-1/2"
33-GS-14S-17	324-2917-230	SHAFT/GEAR SET, 7/8-13 TOOTH, 1-3/4"
33-GS-14S-20	324-2920-230	SHAFT/GEAR SET, 7/8-13 TOOTH, 2"
33-GS-16K-07	324-2907-740	SHAFT/GEAR SET, 1" KEYED, 3/4"
33-GS-16K-10	324-2910-740	SHAFT/GEAR SET, 1" KEYED, 1"
33-GS-16K-12	324-2912-740	SHAFT/GEAR SET, 1" KEYED, 1-1/4"
33-GS-16K-15	324-2915-740	SHAFT/GEAR SET, 1" KEYED, 1-1/2"
33-GS-16K-17	324-2917-740	SHAFT/GEAR SET, 1" KEYED, 1-3/4"
33-GS-16K-20	324-2920-740	SHAFT/GEAR SET, 1" KEYED, 2"
33-GS-16S-07	324-2907-240	SHAFT/GEAR SET, 1"-15 TOOTH, 3/4"
33-GS-16S-10	324-2910-240	SHAFT/GEAR SET, 1"-15 TOOTH, 1"
33-GS-16S-12	324-2912-240	SHAFT/GEAR SET, 1"-15 TOOTH, 1-1/4"
33-GS-16S-15	324-2915-240	SHAFT/GEAR SET, 1"-15 TOOTH, 1-1/2"
33-GS-16S-17	324-2917-240	SHAFT/GEAR SET, 1"-15 TOOTH, 1-3/4"
33-GS-16S-20	324-2920-240	SHAFT/GEAR SET, 1"-15 TOOTH, 2"
35-G-05	323-2805-000	GEAR SET, 1/2"
35-G-07	323-2807-000	GEAR SET, 3/4"
35-G-10	323-2810-000	GEAR SET, 1"
35-G-12	323-2812-000	GEAR SET, 1-1/4"
35-G-15	323-2815-000	GEAR SET, 1-1/2"
35-G-17	323-2817-000	GEAR SET, 1-3/4"

Heavy Motions®	Parker®	Description
35-G-20	323-2820-000	GEAR SET, 2"
35-G-22	323-2822-000	GEAR SET, 2-1/4"
35-G-25	323-2825-000	GEAR SET, 2-1/2"
35-GS-14S-07	323-2907-230	SHAFT/GEAR SET, 7/8-13 TOOTH, 3/4"
35-GS-14S-10	323-2910-230	SHAFT/GEAR SET, 7/8-13 TOOTH, 1"
35-GS-14S-12	323-2912-230	SHAFT/GEAR SET, 7/8-13 TOOTH, 1-1/4"
35-GS-14S-15	323-2915-230	SHAFT/GEAR SET, 7/8-13 TOOTH, 1-1/2"
35-GS-14S-17	323-2917-230	SHAFT/GEAR SET, 7/8-13 TOOTH, 1-3/4"
35-GS-14S-20	323-2920-230	SHAFT/GEAR SET, 7/8-13 TOOTH, 2"
35-GS-14S-22	323-2922-230	SHAFT/GEAR SET, 7/8-13 TOOTH, 2-1/4"
35-GS-14S-25	323-2925-230	SHAFT/GEAR SET, 7/8-13 TOOTH, 2-1/2"
35-GS-16K-10	323-2910-740	SHAFT/GEAR SET, 1" KEYED, 1"
35-GS-16K-15	323-2915-740	SHAFT/GEAR SET, 1" KEYED, 1-1/2"
35-GS-16K-17	323-2917-740	SHAFT/GEAR SET, 1" KEYED, 1-3/4"
35-GS-16K-20	323-2920-740	SHAFT/GEAR SET, 1" KEYED, 2"
35-GS-16K-22	323-2922-740	SHAFT/GEAR SET, 1" KEYED, 2-1/4"
35-GS-16K-25	323-2925-740	SHAFT/GEAR SET, 1" KEYED, 2-1/2"
35-GS-16S-12	323-2912-240	SHAFT/GEAR SET, 1"-15 TOOTH, 1-1/4"
35-GS-16S-15	323-2915-240	SHAFT/GEAR SET, 1"-15 TOOTH, 1-1/2"
35-GS-16S-17	323-2917-240	SHAFT/GEAR SET, 1"-15 TOOTH, 1-3/4"
35-GS-16S-20	323-2920-240	SHAFT/GEAR SET, 1"-15 TOOTH, 2"
35-GS-16S-22	323-2922-240	SHAFT/GEAR SET, 1"-15 TOOTH, 2-1/4"
35-GS-16S-25	323-2925-240	SHAFT/GEAR SET, 1"-15 TOOTH, 2-1/2"
35-GS-18S-12	323-2912-204	SHAFT/GEAR SET, 1-1/8" -17 TOOTH (SPECIAL), 1-1/4"
35-GS-20K-07	323-2907-750	SHAFT/GEAR SET, 1-1/4" KEYED, 3/4"
35-GS-20K-10	323-2910-750	SHAFT/GEAR SET, 1-1/4" KEYED, 1"
35-GS-20K-12	323-2912-750	SHAFT/GEAR SET, 1-1/4" KEYED, 1-1/4"
35-GS-20K-15	323-2915-750	SHAFT/GEAR SET, 1-1/4" KEYED, 1-1/2"
35-GS-20K-17	323-2917-750	SHAFT/GEAR SET, 1-1/4" KEYED, 1-3/4"
35-GS-20K-20	323-2920-750	SHAFT/GEAR SET, 1-1/4" KEYED, 2"
35-GS-20K-22	323-2922-750	SHAFT/GEAR SET, 1-1/4" KEYED, 2-1/4"
35-GS-20K-25	323-2925-750	SHAFT/GEAR SET, 1-1/4" KEYED, 2-1/2"
35-GS-20S-07	323-2907-250	SHAFT/GEAR SET, 1-1/4"-14 TOOTH, 3/4"
35-GS-20S-10	323-2910-250	SHAFT/GEAR SET, 1-1/4"-14 TOOTH, 1"
35-GS-20S-12	323-2912-250	SHAFT/GEAR SET, 1-1/4"-14 TOOTH, 1-1/4"
35-GS-20S-15	323-2915-250	SHAFT/GEAR SET, 1-1/4"-14 TOOTH, 1-1/2"
35-GS-20S-17	323-2917-250	SHAFT/GEAR SET, 1-1/4"-14 TOOTH, 1-3/4"
35-GS-20S-20	323-2920-250	SHAFT/GEAR SET, 1-1/4"-14 TOOTH, 2"
35-GS-20S-22	323-2922-250	SHAFT/GEAR SET, 1-1/4"-14 TOOTH, 2-1/4"
35-GS-20S-25	323-2925-250	SHAFT/GEAR SET, 1-1/4"-14 TOOTH, 2-1/2"
365-G-07	322-2807-000	GEAR SET, 3/4"
365-G-10	322-2810-000	GEAR SET, 1"
365-G-12	322-2812-000	GEAR SET, 1-1/4"

Heavy Motions®	Parker®	Description
365-G-15	322-2815-000	GEAR SET, 1-1/2"
365-G-17	322-2817-000	GEAR SET, 1-3/4"
365-G-20	322-2820-000	GEAR SET, 2"
365-G-22	322-2822-000	GEAR SET, 2-1/4"
365-G-25	322-2825-000	GEAR SET, 2-1/2"
365-GS-20K-17	322-2917-750	SHAFT/GEAR SET, 1-1/4 KEYED, 1-3/4"
365-GS-20K-20	322-2920-750	SHAFT/GEAR SET, 1-1/4 KEYED, 2"
365-GS-20K-22	322-2922-750	SHAFT/GEAR SET, 1-1/4 KEYED, 2-1/4"
365-GS-20K-25	322-2925-750	SHAFT/GEAR SET, 1-1/4 KEYED, 2-1/2"
365-GS-20S-07	322-2907-250	SHAFT/GEAR SET, 1-1/4"-14 TOOTH, 3/4"
365-GS-20S-10	322-2910-250	SHAFT/GEAR SET, 1-1/4"-14 TOOTH, 1"
365-GS-20S-12	322-2912-250	SHAFT/GEAR SET, 1-1/4"-14 TOOTH, 1-1/4"
365-GS-20S-15	322-2915-250	SHAFT/GEAR SET, 1-1/4"-14 TOOTH, 1-1/2"
365-GS-20S-17	322-2917-250	SHAFT/GEAR SET, 1-1/4"-14 TOOTH, 1-3/4"
365-GS-20S-20	322-2920-250	SHAFT/GEAR SET, 1-1/4"-14 TOOTH, 2"
365-GS-20S-22	322-2922-250	SHAFT/GEAR SET, 1-1/4"-14 TOOTH, 2-1/4"
365-GS-20S-25	322-2925-250	SHAFT/GEAR SET, 1-1/4"-14 TOOTH, 2-1/2"
37-G-05	305-2805-000	GEAR SET, JA-1007M-05, 1/2"
37-G-07	305-2807-000	GEAR SET, JA-1007M-07, 3/4"
37-G-10	305-2810-000	GEAR SET, JA-1007M-10, 1"
37-G-12	305-2812-000	GEAR SET, JA-1007M-12, 1-1/4"
37-G-15	305-2815-000	GEAR SET, JA-1007M-15, 1-1/2"
37-G-17	305-2817-000	GEAR SET, JA-1007M-17, 1-3/4"
37-G-20	305-2820-000	GEAR SET, JA-1007M-20, 2"
37-G-22	305-2822-000	GEAR SET, JA-1007M-22, 2-1/4"
37-G-25	305-2825-000	GEAR SET, JA-1007M-25, 2-1/2"
37-G-30	305-2830-000	GEAR SET, JA-1007M-30, 3"
50-G-05	313-2805-000	GEAR SET, MA-1006M-05, 1/2"
50-G-07	313-2807-000	GEAR SET, MA-1006M-07, 3/4"
50-G-10	313-2810-000	GEAR SET, MA-1006M-10, 1"
50-G-12	313-2812-000	GEAR SET, MA-1006M-12, 1-1/4"
50-G-15	313-2815-000	GEAR SET, MA-1006M-15, 1-1/2"
50-G-17	313-2817-000	GEAR SET, MA-1006M-17, 1-3/4"
50-G-20	313-2820-000	GEAR SET, MA-1006M-20, 2"
50-G-22	313-2822-000	GEAR SET, MA-1006M-22, 2-1/4"
50-G-25	313-2825-000	GEAR SET, MA-1006M-25, 2-1/2"
50-G-30	313-2830-000	GEAR SET, MA-1006M-30, 3"
50-GS-14S-10	313-2910-230	SHAFT/GEAR SET, 7/8-13 TOOTH, VD-1135M-3-10, 1"
50-GS-14S-12	313-2912-230	SHAFT/GEAR SET, 7/8-13 TOOTH, VD-1135M-3-12, 1-1/4"
50-GS-14S-15	313-2915-230	SHAFT/GEAR SET, 7/8-13 TOOTH, VD-1135M-3-15, 1-1/2"
50-GS-14S-17	313-2917-230	SHAFT/GEAR SET, 7/8-13 TOOTH, VD-1135M-3-17, 1-3/4"
50-GS-14S-20	313-2920-230	SHAFT/GEAR SET, 7/8-13 TOOTH, VD-1135M-3-20, 2"
50-GS-14S-22	313-2922-230	SHAFT/GEAR SET, 7/8-13 TOOTH, VD-1135M-3-22, 2-1/4"

Heavy Motions®	Parker®	Description
50-GS-14S-25	313-2925-230	SHAFT/GEAR SET, 7/8-13 TOOTH, VD-1135M-3-25, 2-1/2" (C102)
50-GS-14SS-17	313-2917-430	SHAFT/GEAR SET, 7/8-13 TOOTH SHORT, VD-1135M-4-17, 1-3/4"
50-GS-14SS-20	313-2920-430	SHAFT/GEAR SET, 7/8-13 TOOTH SHORT, VD-1135M-4-20, 2"
50-GS-14SS-25	313-2925-430	SHAFT/GEAR SET, 7/8-13 TOOTH SHORT, VD-1135M-4-25, 2-1/2"
50-GS-16K-07	313-2907-740	SHAFT/GEAR SET, 1" KEYED, TD-1135M-3-07, 3/4"
50-GS-16K-10	313-2910-740	SHAFT/GEAR SET, 1" KEYED, TD-1135M-3-10, 1"
50-GS-16K-12	313-2912-740	SHAFT/GEAR SET, 1" KEYED, TD-1135M-3-12, 1-1/4"
50-GS-16K-15	313-2915-740	SHAFT/GEAR SET, 1" KEYED, TD-1135M-3-15, 1-1/2"
50-GS-16K-17	313-2917-740	SHAFT/GEAR SET, 1" KEYED, TD-1135M-3-17, 1-3/4"
50-GS-16K-20	313-2920-740	SHAFT/GEAR SET, 1" KEYED, TD-1135M-3-20, 2"
50-GS-16K-22	313-2922-740	SHAFT/GEAR SET, 1" KEYED, TD-1135M-3-22, 2-1/4"
50-GS-16K-25	313-2925-740	SHAFT/GEAR SET, 1" KEYED, TD-1135M-3-25, 2-1/2"
50-GS-16S-25	313-2925-240	SHAFT/GEAR SET, 1"-15 TOOTH, (SPECIAL), 2-1/2"
50-GS-20K-10	313-2910-750	SHAFT/GEAR SET, 1-1/4" KEYED, SD-1135M-3-10, 1"
50-GS-20K-12	313-2912-750	SHAFT/GEAR SET, 1-1/4" KEYED, SD-1135M-3-12, 1-1/4"
50-GS-20K-15	313-2915-750	SHAFT/GEAR SET, 1-1/4" KEYED, SD-1135M-3-15, 1-1/2"
50-GS-20K-17	313-2917-750	SHAFT/GEAR SET, 1-1/4" KEYED, SD-1135M-3-17, 1-3/4"
50-GS-20K-20	313-2920-750	SHAFT/GEAR SET, 1-1/4" KEYED, SD-1135M-3-20, 2"
50-GS-20K-22	313-2922-750	SHAFT/GEAR SET, 1-1/4" KEYED, SD-1135M-3-22, 2-1/4"
50-GS-20K-25	313-2925-750	SHAFT/GEAR SET, 1-1/4" KEYED, SD-1135M-3-25, 2-1/2"
50-GS-20S-10	313-2910-250	SHAFT/GEAR SET, 1-1/4"-14 TOOTH, PD-1135M-3-10, 1"
50-GS-20S-12	313-2912-250	SHAFT/GEAR SET, 1-1/4"-14 TOOTH, PD-1135M-3-12, 1-1/4"
50-GS-20S-15	313-2915-250	SHAFT/GEAR SET, 1-1/4"-14 TOOTH, PD-1135M-3-15, 1-1/2"
50-GS-20S-17	313-2917-250	SHAFT/GEAR SET, 1-1/4"-14 TOOTH, PD-1135M-3-17, 1-3/4"
50-GS-20S-20	313-2920-250	SHAFT/GEAR SET, 1-1/4"-14 TOOTH, PD-1135M-3-20, 2"
50-GS-20S-22	313-2922-250	SHAFT/GEAR SET, 1-1/4"-14 TOOTH, PD-1135M-3-22, 2-1/4"
50-GS-20S-25	313-2925-250	SHAFT/GEAR SET, 1-1/4"-14 TOOTH, PD-1135M-3-25, 2-1/2"
50-GS-20SS-12	313-2912-450	SHAFT/GEAR SET, 1-1/4"-14 TOOTH SHORT, PD-1135M-4-12, 1-1/4"
50-GS-20SS-15	313-2915-450	SHAFT/GEAR SET, 1-1/4"-14 TOOTH SHORT, PD-1135M-4-15, 1-1/2"
50-GS-20SS-17	313-2917-450	SHAFT/GEAR SET, 1-1/4"-14 TOOTH SHORT, PD-1135M-4-17, 1-3/4"
50-GS-20SS-20	313-2920-450	SHAFT/GEAR SET, 1-1/4"-14 TOOTH SHORT, PD-1135M-4-20, 2"
50-GS-20SS-22	313-2922-450	SHAFT/GEAR SET, 1-1/4"-14 TOOTH SHORT, PD-1135M-4-22, 2-1/4"
50-GS-20SS-25	313-2925-450	SHAFT/GEAR SET, 1-1/4"-14 TOOTH SHORT, PD-1135M-4-25, 2-1/2"
75-G-07	316-2807-000	GEAR SET, PA-1006M-07, 3/4"
75-G-10	316-2810-000	GEAR SET, PA-1006M-10, 1"
75-G-12	316-2812-000	GEAR SET, PA-1006M-12, 1-1/4"
75-G-15	316-2815-000	GEAR SET, PA-1006M-15, 1-1/2"
75-G-17	316-2817-000	GEAR SET, PA-1006M-17, 1-3/4"
75-G-20	316-2820-000	GEAR SET, PA-1006M-20, 2"
75-G-22	316-2822-000	GEAR SET, PA-1006M-22, 2-1/4"
75-G-25	316-2825-000	GEAR SET, PA-1006M-25, 2-1/2"
75-G-27	316-2827-000	GEAR SET, PA-1006M-27, 2-3/4"
75-G-30	316-2830-000	GEAR SET, PA-1006M-30, 3"

Heavy Motions®	Parker®	Description
75-GS-20K-12	316-2912-750	SHAFT/GEAR SET, 1-1/4" KEYED, AL-1135M-3-12, 1-1/4"
75-GS-20K-15	316-2915-750	SHAFT/GEAR SET, 1-1/4" KEYED, AL-1135M-3-15, 1-1/2"
75-GS-20K-17	316-2917-750	SHAFT/GEAR SET, 1-1/4" KEYED, AL-1135M-3-17, 1-3/4"
75-GS-20K-20	316-2920-750	SHAFT/GEAR SET, 1-1/4" KEYED, AL-1135M-3-20, 2"
75-GS-20K-22	316-2922-750	SHAFT/GEAR SET, 1-1/4" KEYED, AL-1135M-3-22, 2-1/4"
75-GS-20K-25	316-2925-750	SHAFT/GEAR SET, 1-1/4" KEYED, AL-1135M-3-25, 2-1/2"
75-GS-20K-27	316-2927-750	SHAFT/GEAR SET, 1-1/4" KEYED, AL-1135M-3-27, 2-3/4"
75-GS-20S-07	316-2907-250	SHAFT/GEAR SET, 1-1/4"-14 TOOTH, NE-1135M-3-07, 3/4"
75-GS-20S-10	316-2910-250	SHAFT/GEAR SET, 1-1/4"-14 TOOTH, NE-1135M-3-10, 1"
75-GS-20S-12	316-2912-250	SHAFT/GEAR SET, 1-1/4"-14 TOOTH, NE-1135M-3-12, 1-1/4"
75-GS-20S-15	316-2915-250	SHAFT/GEAR SET, 1-1/4"-14 TOOTH, NE-1135M-3-15, 1-1/2"
75-GS-20S-17	316-2917-250	SHAFT/GEAR SET, 1-1/4"-14 TOOTH, NE-1135M-3-17, 1-3/4"
75-GS-20S-20	316-2920-250	SHAFT/GEAR SET, 1-1/4"-14 TOOTH, NE-1135M-3-20, 2"
75-GS-20S-22	316-2922-250	SHAFT/GEAR SET, 1-1/4"-14 TOOTH, NE-1135M-3-22, 2-1/4"
75-GS-20S-25	316-2925-250	SHAFT/GEAR SET, 1-1/4"-14 TOOTH, NE-1135M-3-25, 2-1/2"
75-GS-20S-27	316-2927-250	SHAFT/GEAR SET, 1-1/4"-14 TOOTH, NE-1135M-3-27, 2-3/4"
75-GS-20S-30	316-2930-250	SHAFT/GEAR SET, 1-1/4"-14 TOOTH, NE-1135M-3-30, 3"
75-GS-20K-30	316-2930-750	SHAFT/GEAR SET, 1-1/4" KEYED, AL-1135M-3-30, 3"

## BEARINGS

Heavy Motions®	Parker®	Description
30-SHFTBRG	391-0381-040	X69-40, 6205-2RS-16
50-SHFTBRG	391-0381-077	X69-58; 6306-2RS-20
75-SHFTBRG	391-0381-078	X69-59
WR1032	391-0381-904	391-0381-060, 37/76 ROLLER BEARING, R-1032
WS1032	391-0381-905	391-0381-059, 25/51 ROLLER BEARING, S-1032
WY1032	391-0381-906	391-0381-068, 21/31 ROLLER BEARING, Y-1032

## WASHERS/NUTS

Heavy Motions®	Parker®	Description
HM391-1451-076	391-1451-076	5/8" NUTS, X4-76
HM391-3784-028	391-3784-028	5/8" HARD FLAT WASHER

## BUSHINGS

Heavy Motions®	Parker®	Description
P315-BUSHING	391-0482-195	P315-BUSHING
P330-BUSHING	391-0482-306	P330-BUSHING
P350-BUSHING	391-0482-308	P350-BUSHING
P365-BUSHING	391-0482-307	P365-BUSHING

# SHAFTS

Heavy Motions®	Parker®	Description
25-CONN	303-1133-001	25 CONNECTING SHAFT, TA-1133
25-S-20K2	303-1135-049	25 CONTINENTAL SHAFT 1-1/4" KEYED W/ 1/2-13 THREAD, UC-1135-1
30-CONN	312-1133-001	21/31 CONNECTING SHAFT, ZA-1133
315-CONN	326-1133-001	315 CONNECTING SHAFT
330-CONN	324-1133-001	330 CONNECTING SHAFT, ZA-330
350-CONN	323-1133-001	350 CONNECTING SHAFT, YF-1133
365-CONN	322-1133-001	365 CONNECTING SHAFT
50-CONN	313-1133-001	51 CONNECTING SHAFT, YA-1133
75-CONN	316-1133-001	76 CONNECTING SHAFT, AB-1133
HM312-1000-200	312-1000-200	21/31 CONTINENTAL SHAFT, 5/8 - 9 TOOTH, AI-1135
HM312-1000-401	312-1000-401	21/31 CONTINENTAL SHAFT 1"-15 TOOTH, AU-1135
HM312-1133-002	312-1133-002	30 TO 30 PIGGYBACK CONNECTING SHAFT, AF1133
HM312-1133-003	312-1133-003	30 TO 50 PIGGYBACK CONNECTING SHAFT, AD1133
HM312-1135-133	312-1135-133	21/31 CONTINENTAL SHAFT 1-1/4"-14 TOOTH, AH-1135 ( 5.3" overall length)
HM312-1135-133sh	312-1135-133	21/31 CONTINENTAL SHAFT 1-1/4"-14 TOOTH, AH-1135 (4.25" overall length)
HM312-1135-138	312-1135-138	21/31 CONTINENTAL SHAFT 7/8-13 TOOTH, AJ-1135
HM312-1135-152	312-1135-152	21/31 CONTINENTAL SHAFT 3/4" KEYED, AV-1135
HM312-1135-192	312-1135-192	21/31 CONTINENTAL SHAFT 7/8" KEYED X-LONG, AK-1135-XL
HM312-1500-400	312-1500-400	21/31 CONTINENTAL SHAFT 1" KEYED, ED-1135
HM312-1500-500	312-1500-500	21/31 CONTINENTAL SHAFT 1-1/4" KEYED, LS-1135
HM313-1000-300	313-1000-300	51 CONTINENTAL SHAFT 7/8-13 TOOTH, AD-1135
HM313-1000-400	313-1000-400	51 CONTINENTAL SHAFT 1"-15 TOOTH, AT-1135-1
HM313-1133-003	313-1133-003	50 TO 75 PIGGYBACK CONNECTING SHAFT, AJ1133
HM313-1133-004	313-1133-004	50 TO 50 PIGGYBACK CONNECTING SHAFT, AG1133
HM313-1135-194	313-1135-194	51 CONTINENTAL SHAFT 1-1/4"-14 TOOTH, AG-1135
HM313-1500-400	313-1500-400	51 CONTINENTAL SHAFT 1" KEYED, AE-1135
HM313-1500-500	313-1500-500	51 CONTINENTAL SHAFT 1-1/4" KEYED, AF-1135
HM316-1135-147	316-1135-147	76 CONTINENTAL SHAFT 1-1/4" KEYED, AL-1135
HM316-1135-148	316-1135-148	76 CONTINENTAL SHAFT 1-1/4"-14 TOOTH, AS-1135
HM322-1500-500	322-1500-500	365 CONTINENTAL SHAFT 1-1/4" KEYED
HM323-1000-300	323-1000-300	350 CONTINENTAL SHAFT 7/8-13 TOOTH
HM323-1500-500	323-1500-500	350 CONTINENTAL SHAFT 1-1/4" KEYED

# DUMP PUMP PARTS

Heavy Motions®	Parker®	Description
AKC102-4		AIR SHIFT KIT, C101/C102, 4 bolt pattern
AKG102		AIR SHIFT KIT, G101/G102
HM308-4000-102	308-4000-102	G101/G102 DETENT CAP
HM314-0100-003	314-0100-003	C101/C102 DETENT CAP
HM314-0100-005	314-0100-005	C101/G101 OPTIONAL BRACKET
HM314-4000-001	314-4000-001	C101/C102 VALVE SPOOL

Heavy Motions®	Parker®	Description
HM355-9001-067	355-9001-067	C101/C102 RELIEF VALVE
HM355-9001-197	355-9001-197	G101/G102 RELIEF VALVE
HM391-0282-009	391-0282-009	C101/C102/G101/G102 BALL
HM391-0981-007	391-0981-007	G101/G102 STOP BRACKET
HM391-0981-010	391-0981-010	C101/C102 STOP BRACKET
HM391-1402-063	391-1402-063	C101/C102/G101/G102 CAP SCREW
HM391-1832-323	391-1832-323	C102 rear mounting support bracket kit
HM391-1881-072	391-1881-072	G101/G102 SPOOL END CAP
HM391-1881-073	391-1881-073	C101/C102 SPOOL END CAP
HM391-1985-014	391-1985-014	G101/G102 QUAD RING SEAL O'RING
HM391-2085-009	391-2085-009	C101/C102/G101/G102 SPIRAL PIN
HM391-2583-079	391-2583-079	C101/C102/G101/G102 DETENT RETAINER
HM391-2681-487	391-2681-487	G101 SNAP RING
HM391-2681-493	391-2681-493	C101 SNAP RING
HM391-2688-003	391-2688-003	C101/C102 RING
HM391-2881-103	391-2881-103	C101/102, O'Ring, for valve spool
HM391-2883-147	391-2883-147	C101/C102 DETENT HOUSING WIPER SEAL
HM391-2883-152	391-2883-152	G101/G102 DETENT HOUSING WIPER SEAL
HM391-3283-052	391-3283-052	C101/102/G101/G102, OPTIONAL SLEEVE
HM391-3383-069	391-3383-069	G102 SPACER
HM391-3581-383	391-3581-383	C101/C102/G101/G102 DETENT SPRING
HM391-3782-126	391-3782-126	C101 RETAINER RING
HM391-3788-002	391-3788-002	C101/C102/G101/G102 DETENT CAP LOCK WASHER
HMDPC-10		Heavy Motions Dump Pump Cable-10 Feet

## PUMP PARTS MISCELLANEOUS

Heavy Motions®	Parker®	Description
HM316-9414-001	316-9414-001	DRY VALVE UNIT
HM391-1781-021	391-1781-021	KEY FOR 1" SHAFT, X10-13 (1/4X3/8X1-1/2)
HM391-1781-045	391-1781-045	KEY FOR 1-1/4" SHAFT, X10-38, (5/16X15/32X1-1/2)
HM391-1781-083	391-1781-083	350/365, KEY; .31W X 1.50L X .31H
HM391-2082-032	391-2082-032	31/330/51/350 DOWEL PIN, X10-99, .375 (3/8") x 1"
HM391-2082-033	391-2082-033	76 DOWEL PIN, SOLID, X10-98, .625 x 1.5"
HM391-2082-062	391-2082-062	P365 DOWEL PIN, HOLLOW, .81 x 3/4"
HM391-2082-069	391-2082-069	M365 DOWEL PIN, HOLLOW, .94 x .31
HM391-2082-071	391-2082-071	21,315 DOWEL PIN, .25 x 5/8"
HM391-2286-004	391-2286-004	PLUG, T1391
HM391-3681-001	391-3681-001	CHECK VALVE, M1391K
HMRP-6625-3000	N/A	RELIEF VALVE ASSEMBLY FOR 51-PEC-RV, 3000PSI



# SEALS

Heavy Motions®	Parker®	Description
HM312-0100-002	312-0100-002	21/31 SPACER FOR CONTINENTAL SHAFT, TB-1669
HM391-2584-051	391-2584-051	76 SEAL RETAINER, RA-1072
HM391-2585-006	391-2585-006	31 RING SEAL, LB-1669-1
HM391-2585-009	391-2585-009	51 RING SEAL, NB-1669-1
HM391-2585-011	391-2585-011	76 RING SEAL, WB-1669-1
HM391-2685-011	391-2685-011	21/31 SNAP RING FOR CONTINENTAL SHAFT, X97-100
HM391-2686-025	391-2686-025	76 SHAFT BEARING SNAP RING, X96-315
HM391-2686-063	391-2686-063	21/31/330 SHAFT BEARING SNAP RING, (SPIROLOX) X134-206
HM391-2686-065	391-2686-065	25/51/350 SHAFT BEARING SNAP RING, (SPIROLOX) X134-283
HM391-2881-457	391-2881-457	76 SEAL RETAINER O'RING, L-3006-47
HM391-2881-929	391-2881-929	M330 BACKUP CHANNEL SEAL, NYLON
HM391-2881-930	391-2881-930	M330 BACKUP SEAL END PIECE, BUNA
HM391-2881-931	391-2881-931	M330 BACKUP SEAL SIDE PIECE, BUNA
HM391-2881-968	391-2881-968	P315 PUMP BODY GASKET
HM391-2881-995	391-2885-995	M315 BACKUP SEAL NYLON
HM391-2881-996	391-2885-996	M31 BACKUP SEAL END RUBBER, BUNA
HM391-2881-997	391-2885-997	M315 BACKUP SEAL SIDE RUBBER, BUNA
HM391-2882-051	391-2882-051	31/51, THRUST PLATE POCKET SEAL STRIP
HM391-2882-084	391-2882-084	76, THRUST PLATE POCKET SEAL STRIP
HM391-2882-086	391-2882-086	31, THRUST PLATE POCKET SEAL PIECES
HM391-2882-139	391-2882-139	P350 BACKUP SEAL NYLON
HM391-2882-140	391-2882-140	P350 BACKUP SEAL RUBBER, BUNA
HM391-2883-052	391-2883-052	37/76/P365 PUMP SHAFT SEAL, X73-37-10
HM391-2883-058	391-2883-058	21/31/330 PUMP SHAFT SEAL, INTEGRAL, X73-37-16
HM391-2883-094	391-2883-094	75 MOTOR SHAFT SEAL, X73-50-1
HM391-2883-096	391-2883-096	C101/25 MOTOR SHAFT SEAL, X73-50-3
HM391-2883-103	391-2883-103	51/P350 PUMP SHAFT SEAL, X73-37-17
HM391-2883-107	391-2883-107	21/31/330 PUMP SHAFT SEAL CONTINENTAL, X73-37-18
HM391-2883-115	391-2883-115	51/M350/C102, MOTOR SHAFT SEAL, X73-50-8
HM391-2883-119	391-2883-119	21/31/M330 MOTOR SHAFT SEAL, INTEGRAL, X73-50-9
HM391-2883-126	391-2883-126	21/31/M330 MOTOR SHAFT SEAL, CONTINENTAL, X73-50-11
HM391-2883-151	391-2883-151	P315 PUMP SHAFT SEAL
HM391-2883-156	391-2883-156	M315 MOTOR SHAFT SEAL
HM391-2883-166	391-2883-166	P330 BACKUP SEAL RUBBER, BUNA
HM391-2883-167	391-2883-167	P330 BACKUP SEAL NYLON
HM391-2883-168	391-2883-168	P315 BACKUP SEAL RUBBER, BUNA
HM391-2883-169	391-2883-169	P315 BACKUP SEAL NYLON
HM391-2883-176	391-2883-176	P365 BACKUP SEAL RUBBER, BUNA
HM391-2883-177	391-2883-177	P365 BACKUP SEAL NYLON
HM391-2883-192	391-2883-192	51, 500# WORKING PRESSURE SEAL, SEVERE DUTY, SPRING LOADED
HM391-2884-019	391-2884-019	21 BODY GASKET, UB-3006-239

Heavy Motions®	Parker®	Description
HM391-2884-021	391-2884-021	25/51/M350 BODY GASKET, UB-3006-244
HM391-2884-023	391-2884-023	M365 / 37X PUMP BODY GASKET, UB-3006-249
HM391-2884-024	391-2884-024	76 BODY GASKET, UB-3006-252
HM391-2884-050	391-2884-050	31/P330 BODY GASKET, UB-3006-242
HM391-2884-052	391-2884-052	P365/5151 PUMP BODY GASKET, UB-3006-250
HM391-2884-074	391-2884-074	P350 PUMP BODY GASKET, UB-3006-246
HM391-2884-076	391-2884-076	M330 BODY GASKET, UB-3006-241
HM391-2885-040	391-2885-040	76 THRUST PLATE DRY VALVE TEFLON SEAL
HM391-2885-069	391-2885-069	M365 BACKUP SEAL SIDE RUBBER, BUNA
HM391-2885-070	391-2885-070	M365 BACKUP SEAL, END RUBBER, BUNA
HM391-2885-071	391-2885-071	M365 BACKUP SEAL, NYLON
HM391-2885-073	391-2885-073	M350 BACKUP SEAL SIDE RUBBER, BUNA
HM391-2885-074	391-2885-074	M350 BACKUP SEAL END RUBBER, BUNA
HM391-2885-075	391-2885-075	M350 BACKUP SEAL NYLON
HM391-3381-039	391-3381-039	76 SPACER FOR CONTINENTAL SHAFT, AF-1669
HM391-3381-040	391-3381-040	21/31 SEAL RETAINER, AE-1669
HM391-3383-018	391-3383-018	76 BEARING SPACER, VB-1669
HM391-3383-020	391-3383-020	C101/C102/51 SEAL RETAINER, AC-1669
HM391-3383-087	391-3383-087	C101/C102/51 BEARING SPACER, VB-1669-1
HM391-3383-099	391-3383-099	365 SEAL RETAINER AND SHAFT BEARING SPACER

## THRUST PLATES

Heavy Motions®	Parker®	Description
M315-THRUST	391-2185-070	M315 THRUST PLATE, 070
M330-THRUST	391-2185-065	M330 THRUST PLATE, 065
M350-THRUST	391-2185-068	M350 THRUST PLATE, 068
M365-THRUST	391-2185-060	M365 THRUST PLATE, 060
P15-THRUST	391-2185-007	P15 THRUST PLATE, U-1058, 007
P31-THRUST	391-2185-013	21/31 THRUST PLATE, AA-1058-TC
P315-THRUST	391-2185-063	P315 THRUST PLATE, 063
P330-THRUST	391-2185-056	P330 THRUST PLATE, 056
P350-THRUST	391-2185-057	P350 THRUST PLATE, 057
P365-THRUST	391-2185-055	P365 THRUST PLATE, 055
P37-THRUST	391-2185-009	P37 THRUST PLATE, X-1058
P51-THRUST	391-2185-012	25/51/C102 THRUST PLATE, Y-1058-TC, 017
P51DV-THRUST	391-2185-062	P51 SERIES THRUST PLATE, used for Dry Valve units and winch motors, Y-1058-DV
P75-THRUST	391-2185-020	76 THRUST PLATE, BA-1058-TC
P76DV-THRUST	391-2185-072	76 THRUST PLATE DRY VALVE, BA-1058-DV

# Warranty Policy

Heavy Motions pump is warranted against any defect in material and workmanship which existed at the time of sale by Heavy Motions, according to the following provisions, subject to the requirements that the pump must be used only in accordance with catalog and package instructions.

Heavy Motions pump is warranted for a period of (1) one year (12 months) from the date of service or 1-1/2 years (18 months) from date of sales/builds, or 12 months of date of installation, whichever is sooner, against any defect in material and workmanship which existed at the time of sale by Heavy Motions Inc., according to the following provisions, subject to the requirements that the pump must be used only in the appropriate applications and following the Installation and Owner's Manual instructions.

**WARNING:** The above warranty shall terminate if any alterations or repairs are made to the pump other than at Heavy Motions, or if the pump is used on any equipment other than the equipment upon which it is first installed.

The foregoing warranties are in lieu of all other obligations and liabilities, including negligence and all warranties of merchantability and suitability, expressed or implied, and state Heavy Motions' entire and exclusive liability and buyer's exclusive remedy for any claim of damages in connection with the sale, repair or replacement of the above goods, their design, installation or operation. Heavy Motions will in no event be liable for any direct, indirect, special, incidental or consequential damages whatsoever, and our liability under no circumstances will exceed the contract price for the goods for which liability is claimed.

Heavy Motions is not liable for any repair related cost incurred to the buyer at any time if the repair is conducted by the buyer without written authorization from Heavy Motions.

## Warranty Procedure

- Step 1.** Check your installation date and see if your pump is still within the warranty period.
- Step 2.** Call your sales representative at Heavy Motions to report the issue, get the written authorization as well as the address to ship the pump back.
- Step 3.** Ship the problem pump to the address you get from your sales representative at Heavy Motions, freight prepaid by the buyer.
- Step 4.** Once the problem pump has been received, Heavy Motions will conduct a detailed analysis of the problem pump and provide the buyer with a report. If the problem is caused by Heavy Motions' material or workmanship, Heavy Motions will either send a new pump or issue a credit memo to the buyer at the choice of the buyer. The freight prepaid by the buyer will also be reimbursed by Heavy Motions to the buyer.

However, if the report shows the problem is not caused by Heavy Motions' material or workmanship, Heavy Motions will not be liable for the problem and the related cost.



**2134 S. Green Privado**  
**Ontario, CA 91761**  
**Tel: 1-866-865-8889**  
**info@heavymotions.com**  
**www.heavymotions.com**